

**HITACHI**  
Inspire the Next



## LCD PROJECTORS



**CP-X1200**  
**CP-X1250**  
**CP-SX1350**

- **SXGA+ Resolution** (CP-SX1350)
- **4,500 ANSI Lumens** (CP-X1250)
- **Network Functions**
- **1.5x Zoom**
- **Lens Shift**
- **Four Optional Lenses**
- **Jog Dial**
- **Progressive Scan**
- **My Screen**
- **Front Exhaust**



**XGA**  
**3,500 ANSI lumens**  
**CP-X1200**

0.99" polysilicon active-matrix TFT x 3  
1,024 x 768 color pixels  
3,500 ANSI lumens



**XGA**  
**4,500 ANSI lumens**  
**CP-X1250**

0.99" polysilicon active-matrix TFT x 3  
1,024 x 768 color pixels  
4,500 ANSI lumens



**SXGA+**  
**3,500 ANSI lumens**  
**CP-SX1350**

0.99" polysilicon active-matrix TFT x 3  
1,400 x 1,050 color pixels  
3,500 ANSI lumens

**High resolution, high brightness, LAN controllable,  
top specification projectors.**

High SXGA+ resolution (CP-SX1350) ensures clear, detailed images for medical applications and CAD imaging. High 4,500 ANSI Lumens brightness (CP-X1250) lets you project distinct, bright images, even in large spaces such as halls and lecture rooms. All three models offer LAN control, so projectors in all classrooms can be controlled from a single PC. Hitachi projectors' outstanding specifications mean they are ready to perform superbly in all situations.





**XGA**  
**3,500 ANSI lumens**  
**CP-X1200**  
 0.99" polysilicon active-matrix TFT x 3  
 1,024 x 768 color pixels  
 3,500 ANSI lumens



**XGA**  
**4,500 ANSI lumens**  
**CP-X1250**  
 0.99" polysilicon active-matrix TFT x 3  
 1,024 x 768 color pixels  
 4,500 ANSI lumens



**SXGA+**  
**3,500 ANSI lumens**  
**CP-SX1350**  
 0.99" polysilicon active-matrix TFT x 3  
 1,400 x 1,050 color pixels  
 3,500 ANSI lumens

## SXGA+ CP-SX1350

### High Resolution of SXGA+

The CP-SX1350 achieves high resolution of SXGA+. It will clearly project vivid images for medical applications where highly detailed images are demanded and for other uses that require fine CAD images or graphics. And because PC resolution is generally SXGA+, it can project realistic images at high resolution without affecting the PC image.

### High Brightness of 3,500 ANSI Lumens

It also features a high brightness of 3,500 ANSI Lumens, allowing it to project clear images even in a bright room.



SXGA+ covers a much wider area than XGA (1.9 times), so it is easy to view a greater amount of information.

## 4,500 ANSI lumens CP-X1250

### High Brightness of 4,500 ANSI Lumens

The CP-X1250 offers high brightness of 4,500 ANSI Lumens. You can project bright and sharp images without darkening the room, even in halls, lecture rooms and other large spaces. Your presentations and lectures will be even more effective.



### Network Functions

You can use a LAN for central control of lamp usage, power on/off, and other operations from a PC (control up to 64 projectors). This is extremely convenient for applications such as a school where there are projectors in many classrooms.

\* Projector control function based on LAN (wireless LAN: IEEE802.11b; wired LAN: 802.3/1-BASE TX) is a standard feature.

### 1.5x Zoom

These models feature a 1.5x zoom lens, so they can be adjusted for a wide range of projection distances. This makes them ideal for use even in rooms with limited space. The electrically powered zoom, focus and lens shift can all be remote controlled.

### Lens Shift (10:0 to 1:1)

Lens Shift lets you move the picture vertically on the screen a distance equal to one-half of the picture. This provides greater installation freedom, while maintaining sharp, clear images with virtually no deterioration in quality.

### Optional Lenses for a Wide Range of Uses

Four different optional lenses allow the projectors to be placed from 2.3m to 14.8m away from a 100" screen, making them suitable for use in both large and small spaces. The lenses are easily removable bayonet types.

### Wireless Device

An optional wireless device, the KJ-100B, connects to the projector by an RGB cable. By inserting the optional KC-11B20Z1 wireless LAN card into a PC, you can transmit images with no need to connect cables. You can also switch among multiple PCs.



CP-X1200



CP-X1250



CP-SX1350

### Jog Dial

These projectors have a jog dial that lets you select the input signal with ease, simply by rotating the dial. They also feature self-illuminated buttons so they are easy to use even when the lights are off.

### Horizontal and Vertical Keystone Correction

This function eliminates the keystone distortion that occurs due to a left/right discrepancy between the positions of the screen and projector, or due to a diagonal alignment when the projector cannot be placed directly in front of the screen.

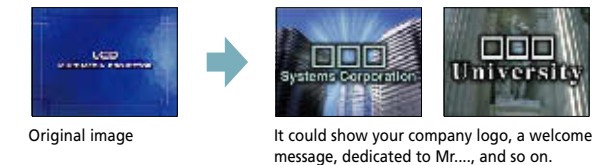
### Progressive Scan

Progressive scan lets you enjoy high quality images with smooth motion. 3:2 pull down provides a picture similar to what you see in a movie theater, while 3D Y/C separation ensures high picture quality with little flicker or cross color, even with composite video signals.



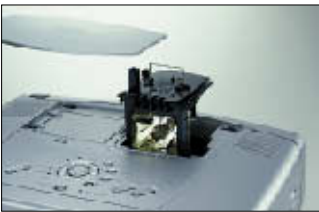
### My Screen with Lock System

The lock system prevents recording, so that a video that has already been recorded by the My Screen function is not accidentally overwritten.



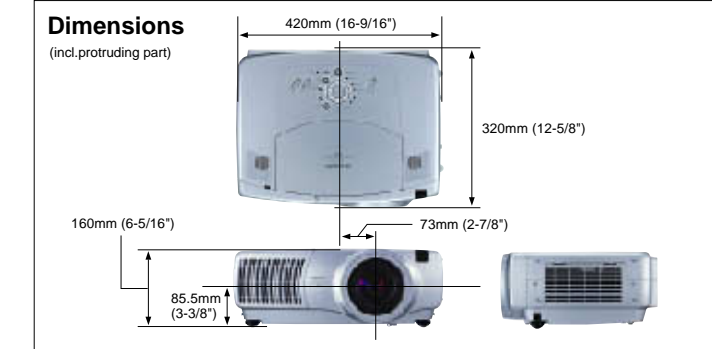
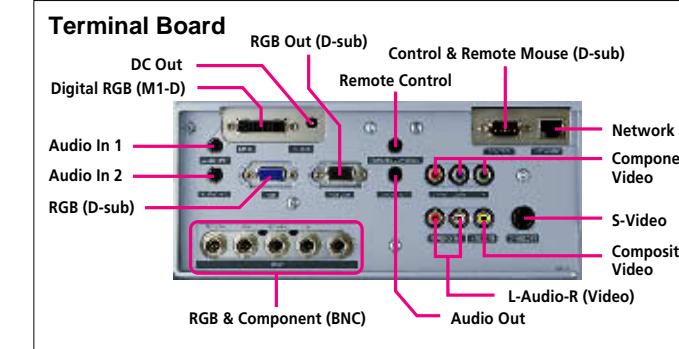
### Convenient Lamp Replacement

The lamp can be replaced with ease by removing the lamp cover on the top of the projector.



### Front Exhaust

Air is exhausted from the front, preventing discomfort for people sitting beside or behind the projector.



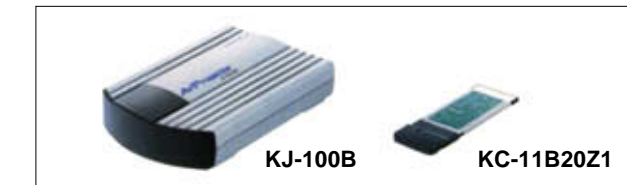
## Options

### Optional Lenses (Bayonet type)

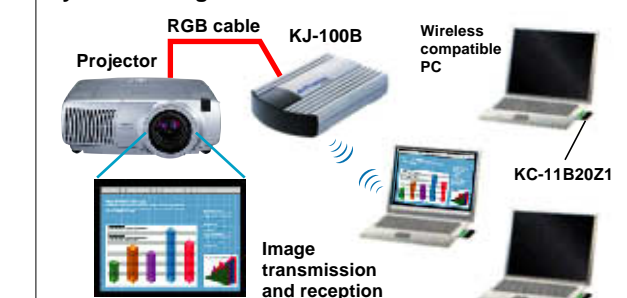
Optional Lenses	Specifications	XGA	SXGA+
		CP-X1200/CP-X1250	CP-SX1350
<b>Option 1</b> Short fixed	Lens shift position 1:1, F = 2.3, f = 16mm, Throw distance ratio = 0.8:1, zoom: 1.0	<b>FL501</b>	<b>FL501SX</b>
<b>Option 2</b> Short zoom	F = 2.2 - 2.8, f = 23 - 31mm, Throw distance ratio = 1:1 - 1.5:1, zoom: 1.35	<b>SL502</b>	<b>SL502SX</b>
<b>Option 3</b> Long zoom	F = 2.1 - 2.6, f = 46 - 82mm, Throw distance ratio = 2:2 - 4.1:1, zoom: 1.8	<b>LL503</b>	<b>LL503SX</b>
<b>Option 4</b> Super long zoom	F = 2.2 - 3.0, f = 80 - 144mm, Throw distance ratio = 4.0 - 7.2:1, zoom: 1.8	<b>LL504</b>	<b>LL504SX</b>

Optional XGA-compatible lenses for the CP-X1200/CP-X1250 can be used with the CP-SX1350. But we recommend that CP-SX1350 users who want even more detailed images use the optional SXGA-compatible lenses.

### Optional Wireless Device



### System Configuration



An RGB cable connection between the PC and the projector is unnecessary.

\* Wireless unit may not be available subject to region/county where recommended devices is not complied to related law or regulation.

