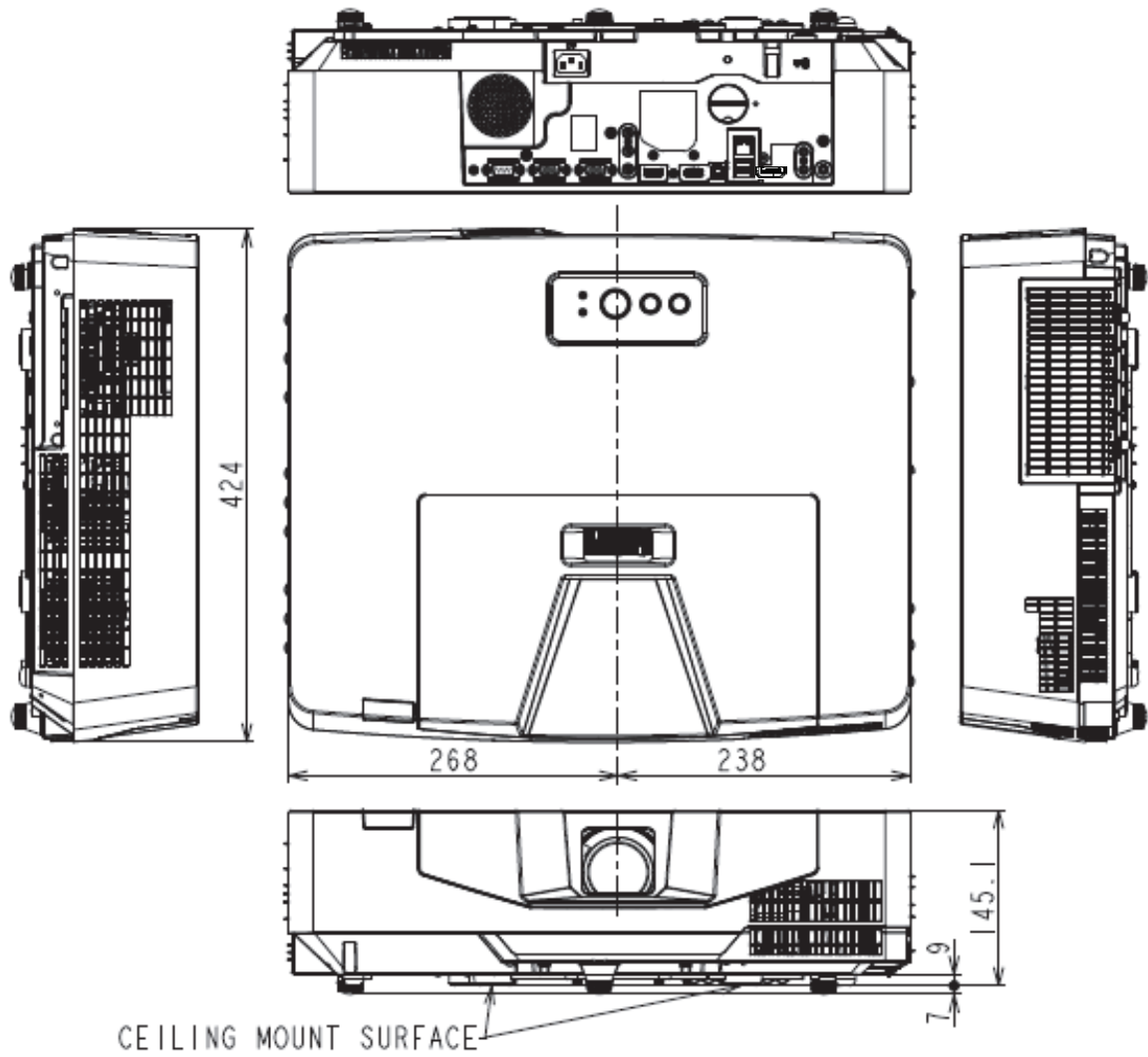


OUTWORD

[Unit: mm]



OUTWORD for Ceiling mount

[Unit: mm]

