

Hitachi Interactive Flat Panel Display.



- **65 Inch Full HD Resolution Panel**

Present in style and in absolute clarity. The optimal resolution of the panel will produce crisp and clean images and display the detail needed for productive and professional meetings.

- **Up to 4 points of simultaneous input**

Multi-touch is at the heart of our integrated interactive display and this is achieved with smooth and interruption free interaction with up to 4 simultaneous inputs.

- **Driver-less interactive operation***

Simply plug in your computer and you're ready to go. No software or driver installation required.

- **Optional Integrated OPS PC - Inc Win 8**

The integrated PC option will mean the panel is ready to turn on and use the moment you walk into the room. No fiddling with cables and no mess. What's more it comes with WiFi and LAN on board so you can easily configure to your network.

- **Front facing stereo speakers (10+10)**

Front facing speakers means the dual 10W stereo speakers deliver the sound to you and your audience directly for the best results every time.

- **3 Year On-site Warranty****

The peace of mind and convenience of on-site service in the unlikely event of a technical fault. Full Terms & conditions are available on request or on the warranty card supplied with the product.

The interactive, integrated solution for perfect presentations.



*Dependant on the Operating System of the connected computer. Please check specifications for compatibility.

**OPS PC has 12 month warranty only. On-site service only available with metro areas. Full Terms & conditions are available on request or on the warranty card supplied with the product.

Call 1800 HITACHI or visit www.hitachi.com.au/dps to find your nearest authorised Hitachi Dealer.

HITACHI
Inspire the Next

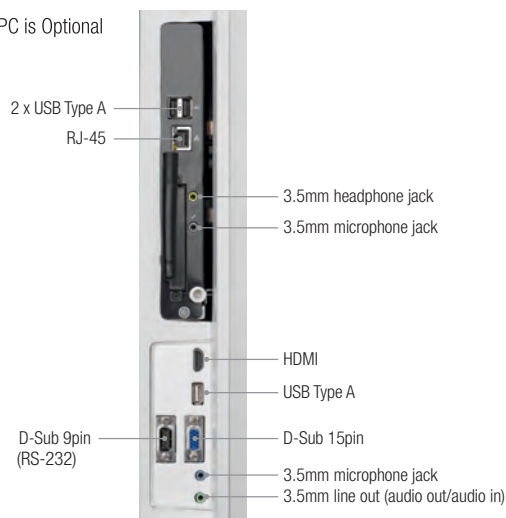
HIT-FHD6500PC/HIT-FHD6500

Specifications

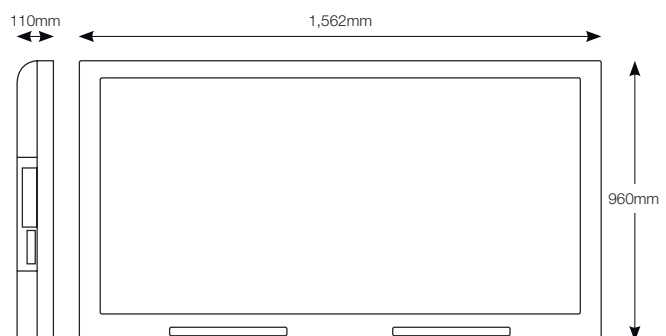
HITACHI
Inspire the Next



OPS PC is Optional



LCD component		65" TFT LCD (64.5" (163.8cm) diagonal)
Backlight		Edge LED Backlight
Max. resolution		1920 x 1080
Max. colors		16.7 million colors
Brightness		360 cd/m ²
Contrast Ratio		4000:1
Viewing angle (H/V)		178° /178°
Video color system		480i, 480p, 576p, 720p, 1080i/30, 1080i/50, 1080p/24,
Signal (Analog)		VGA, SVGA, XGA, WXGA, Full HD
Frequency		60Hz
Input terminals	Digital	HDMI x 1 supporting HDCP decoding
	Analog	VGA x 1 D-Sub 15 pin
PLUG & PLAY		DDC2B (VESA) for Computer HDMI-1, VGA
Video		NO
Component		NO
Audio		Panel: 3.5mm microphone jack PC: 3.5mm microphone jack
Serial (RS-232C)		D-Sub 9pin x 1 for device control
USB		USB x 1 (for external usage of Touch screen) Main board : 2.0 USB x 2
Wireless Slot		Half Mini PCI-E Connector for WIFI Card x1
Output terminals	Audio	Panel: 3.5mm line out PC: 3.5mm headphone jack
	Serial (RS-232C)	D-sub 9 pin x 1
Digital		No
Network	RJ-45	10/100/1000 Mbps Ethernet with PC option only.
	Wireless	802.11 b/g/n with PC option only.
OSD		Independent from languages, the OSD is iconic
Storage		2.5" SATA HDD 500GB with PC option only
Speaker		10W + 10W
TouchPanel	Detection method	Infrared blocking detection method, support 4 simultaneous touches
	Detection area	1428.48mm (H) x 803.52mm (V)
Touch accuracy		±2mm(over 90% Area)
PC connector		USB 2.0
Driver		Win7/8 32/64 bits OS inbox driver and driver for touch screen calibration
Touch pen		Passive stylus, finger or any IR opaque object.
Power requirement		220V~50Hz 1500mA, supporting 100/110Volts
Operating/Storage temperature		Operating temperature: 0~50°C Storage temperature: -20~60°C
Operating/Storage humidity		Operating Humidity: 90% relative humidity non-condensing
Power consumption		220W / 1W / 1W
Power consumption Operating/Standby		300W / 1W / 1W
Dimensions (mm)		1,562 x 110 x 960
Weight		70kg
Main Accessories		Power Cable (1450mm), IB, Remote Controller and Battery (CR2025 3V), HDMI Cable (1500mm), Dipole Wi-Fi antenna, Stylus Pen, Driver DVD
Remote control		Protocol: NEC6122 Carrier Frequency: 37.92KHz
Software		Supports most software packages, please contact you dealer for further information



Hitachi Australia Pty Ltd

Level 8/123 Epping Road, Macquarie Park, NSW 2113

Phone: 1800 HITACHI

Email: dps@hitachi.com.au

www.hitachi.com.au/dps