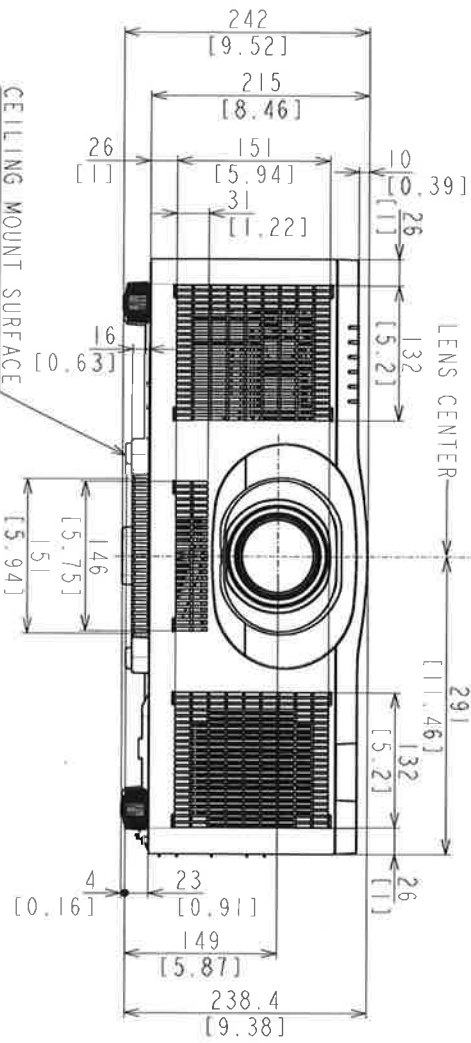
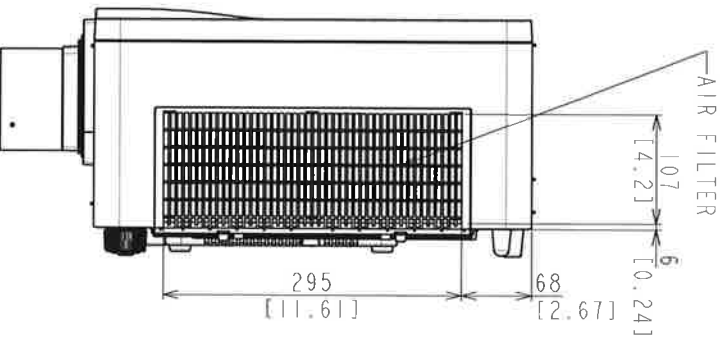
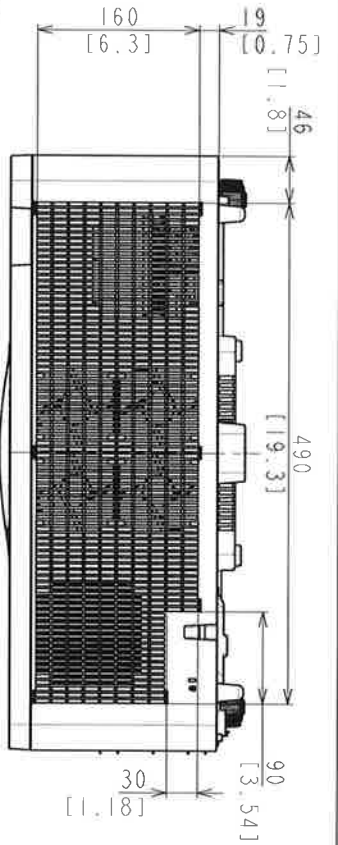
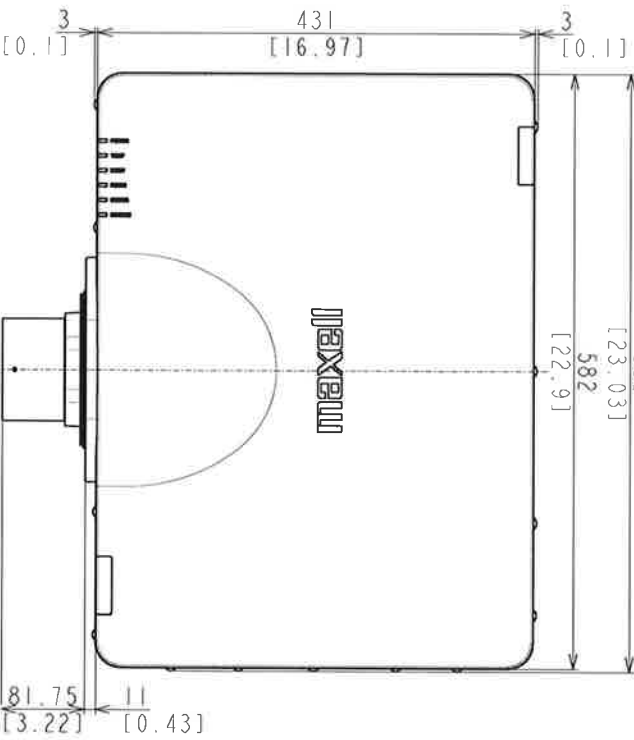
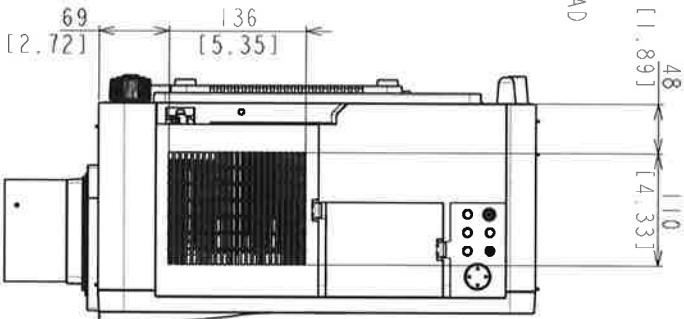
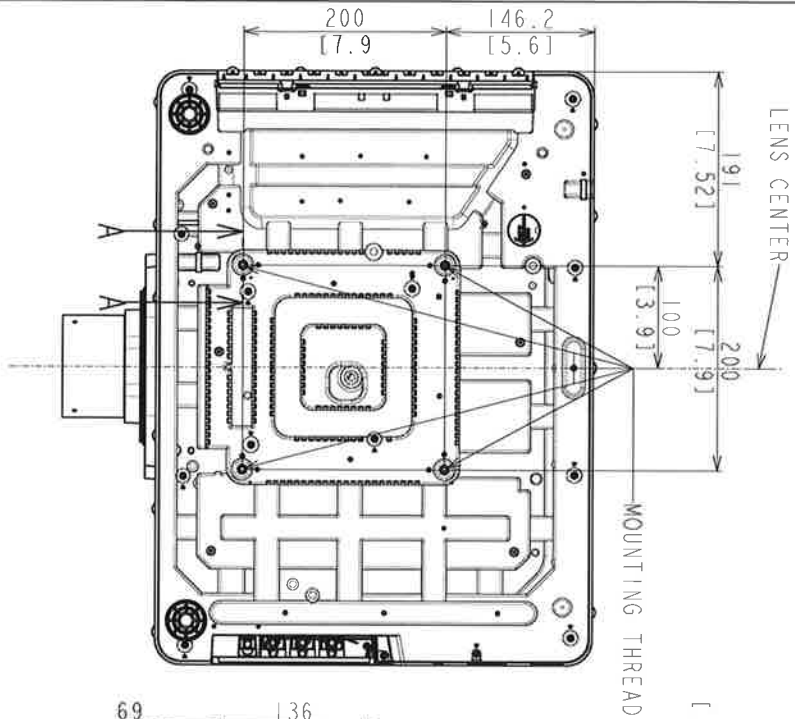


Maxell MP-WU8801
MP-WU8701

FL-701

UNIT: mm[inch]



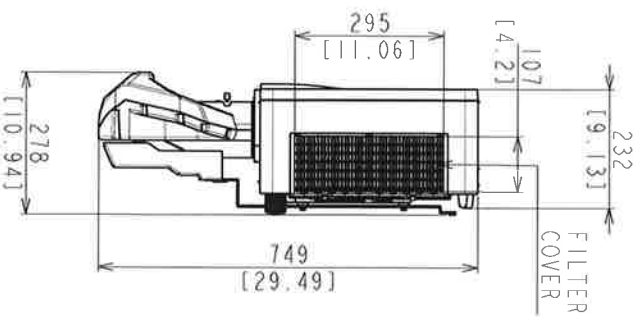
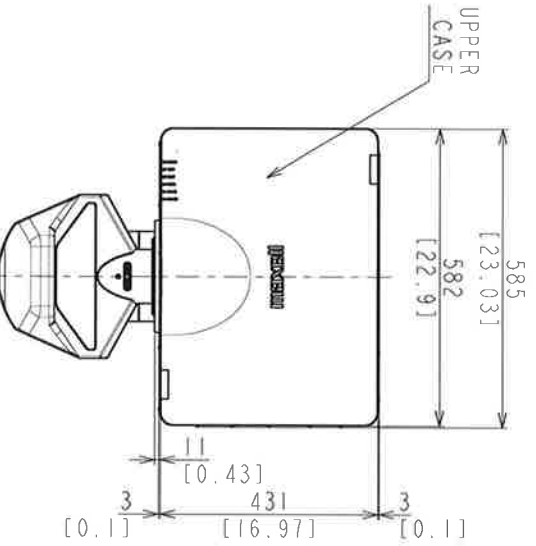
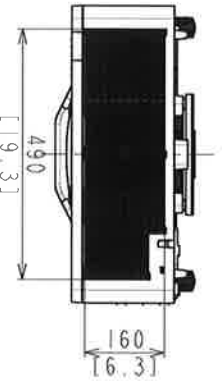
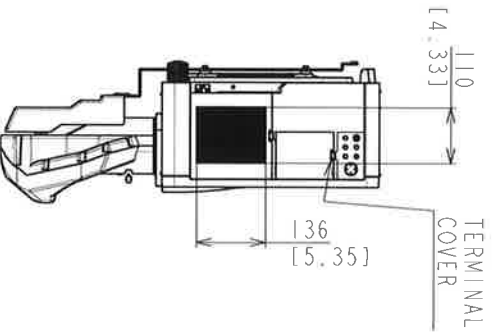
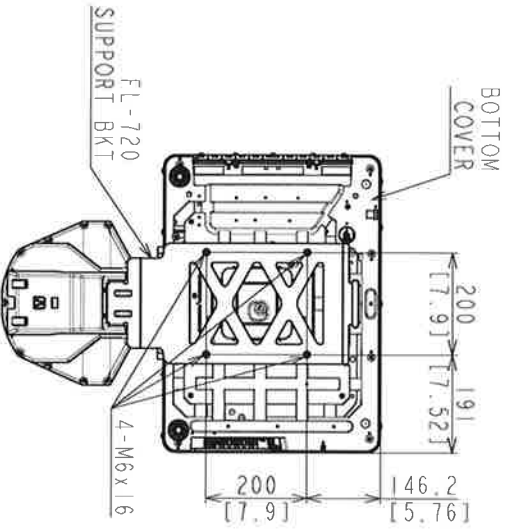
M6 INSERT NUT
MOUNTING THREAD
DETAILS
A-A
1:1



Maxell | MP-WU8801
MP-WU8701

FL-720

UNIT:mm[inch]



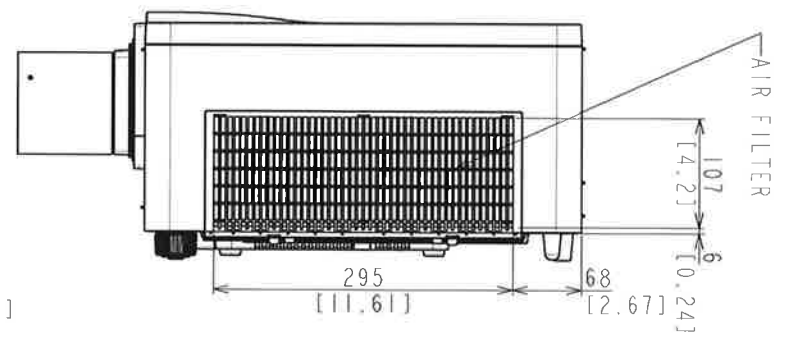
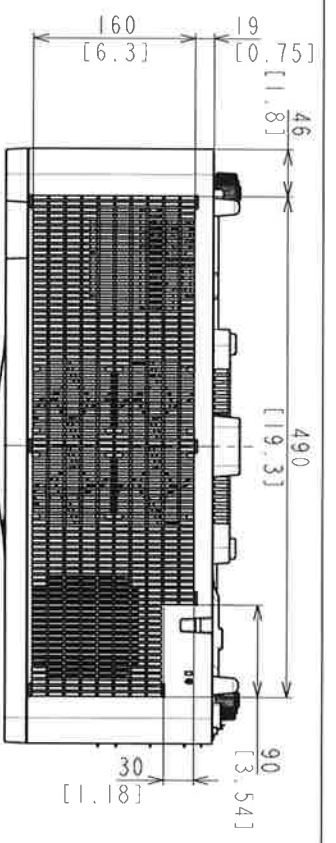
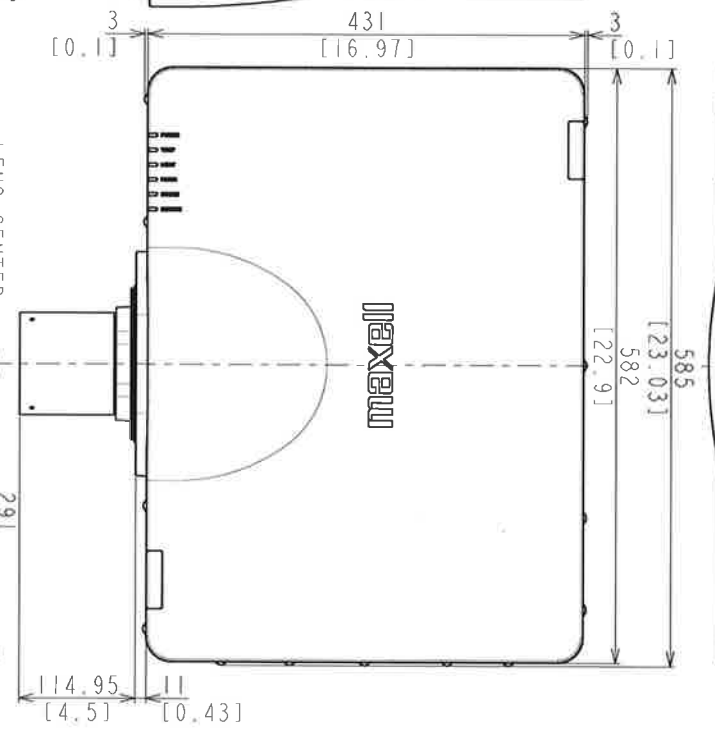
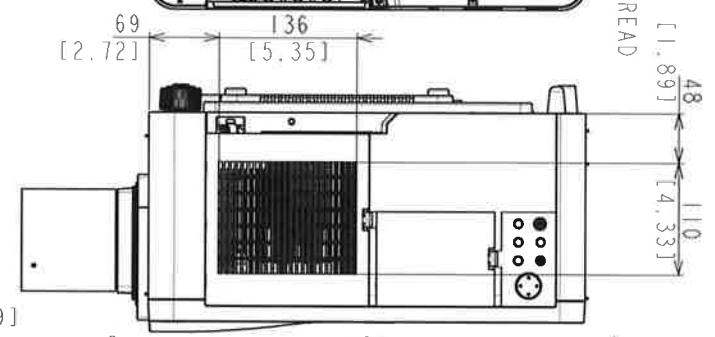
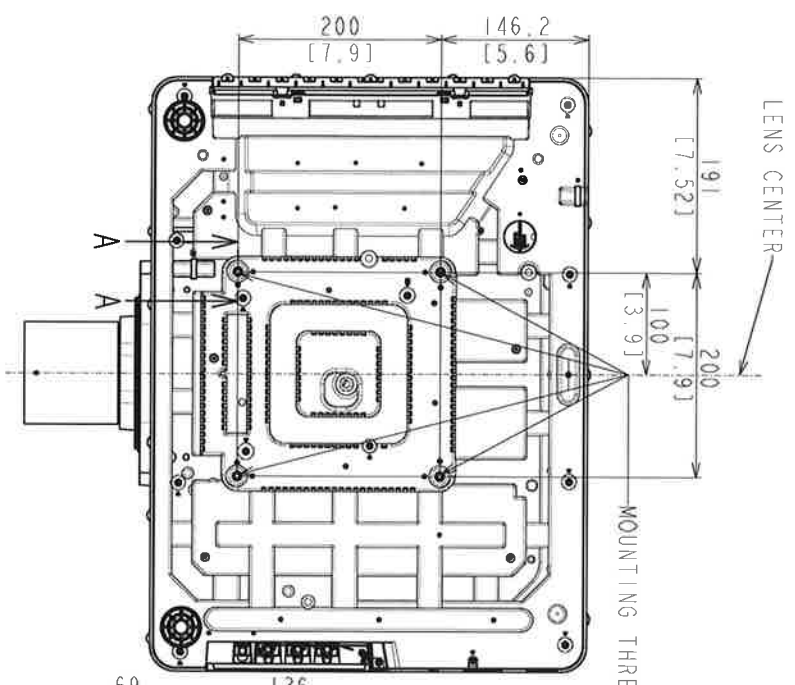
D3_FL720_APPEARANCE.DRW

2018.07.02
2018.10.11
2018.10.16
2018.12.26
2019.02.14

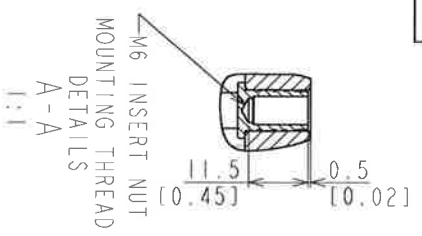
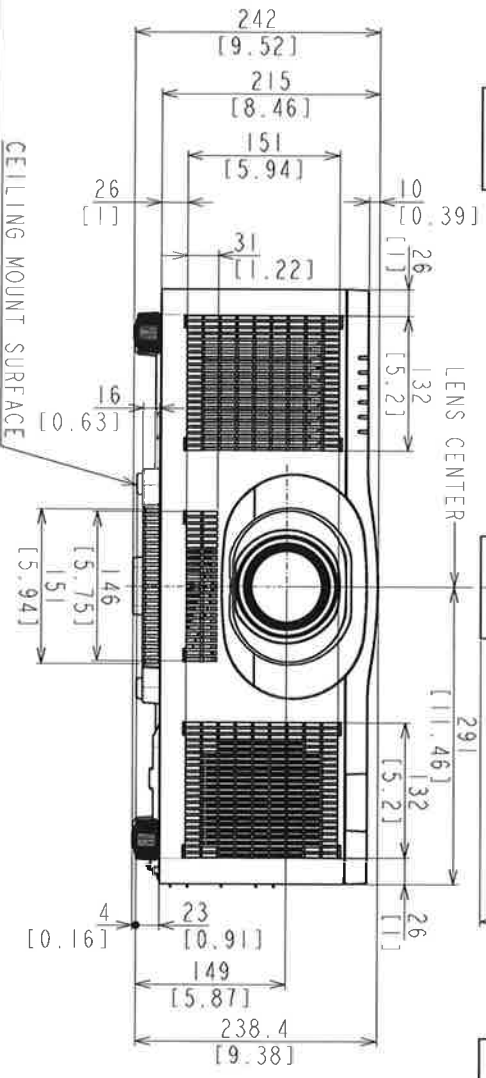
Maxell MP-WU8801
MP-WU8701

LL-704

UNIT:mm[inch]



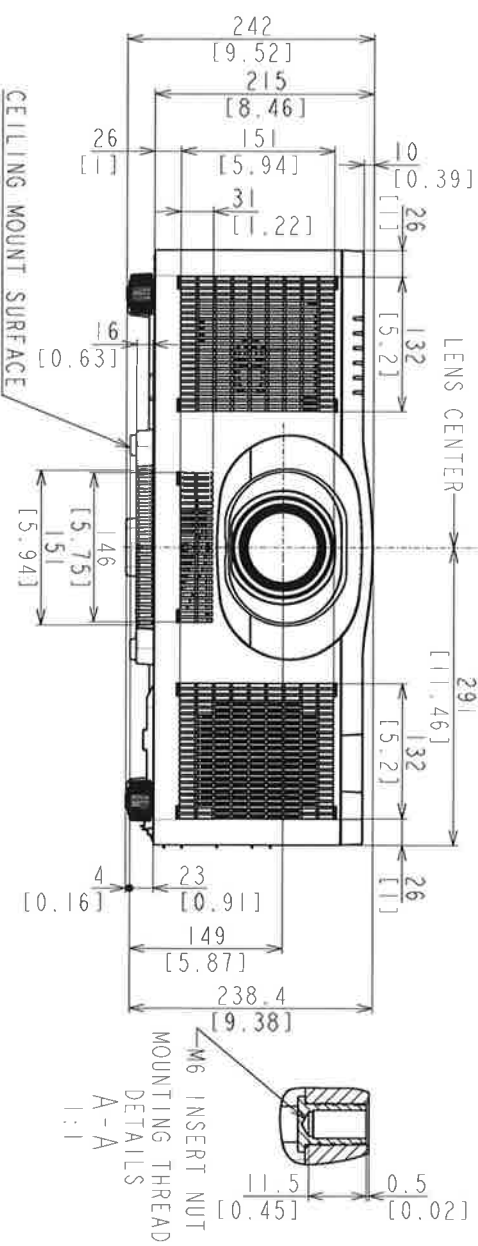
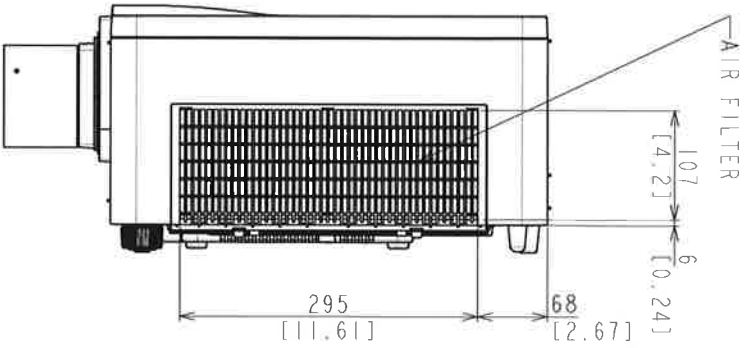
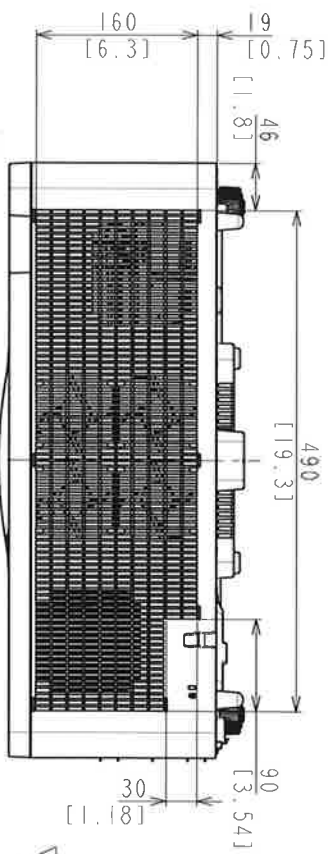
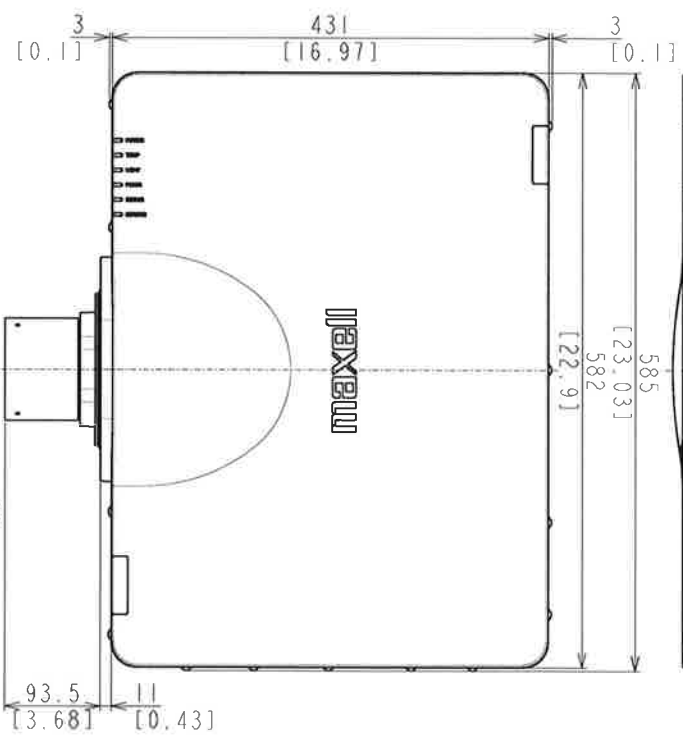
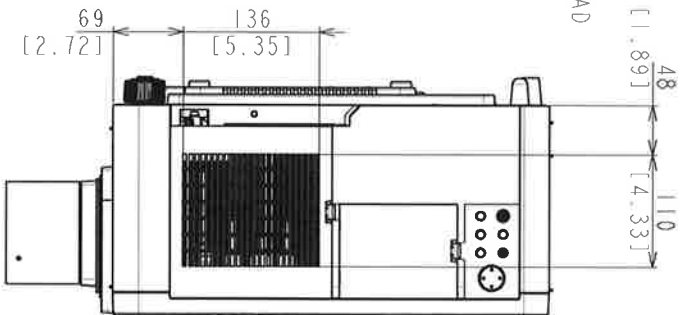
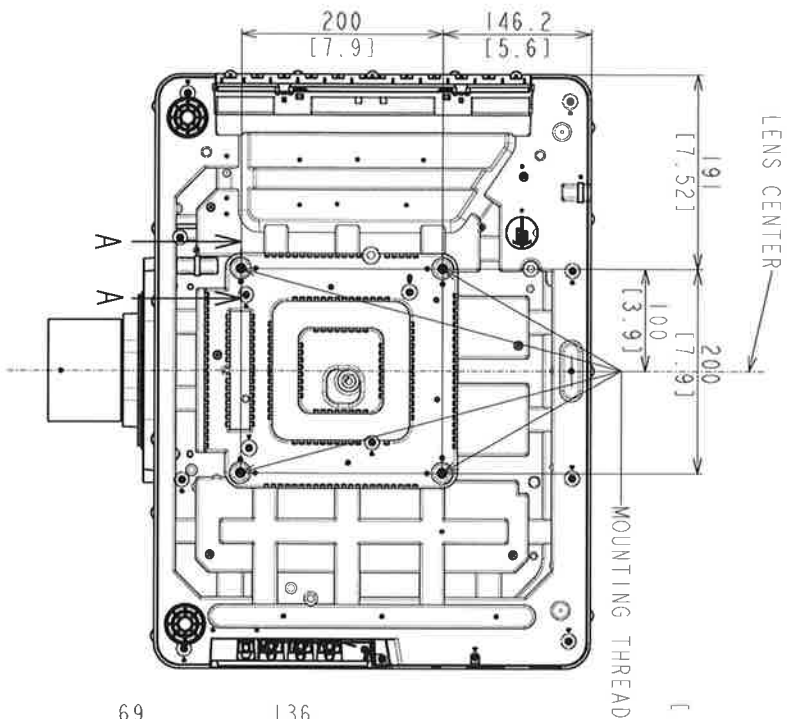
D3-APPEARANCE.DRW(LL-704)
2018/12/26
2019/02/14



Maxell MP-WU8801
MP-WU8701

ML-713

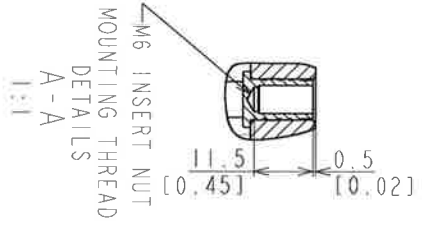
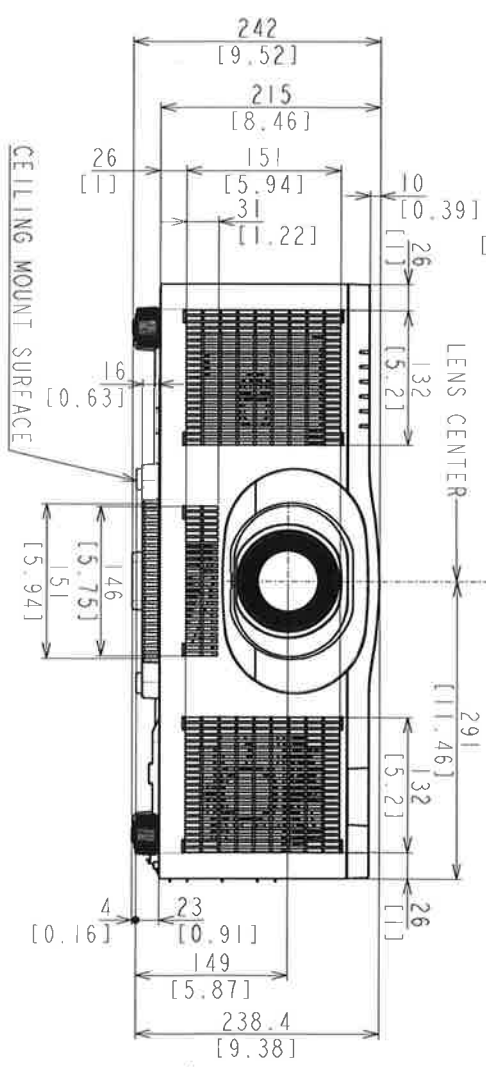
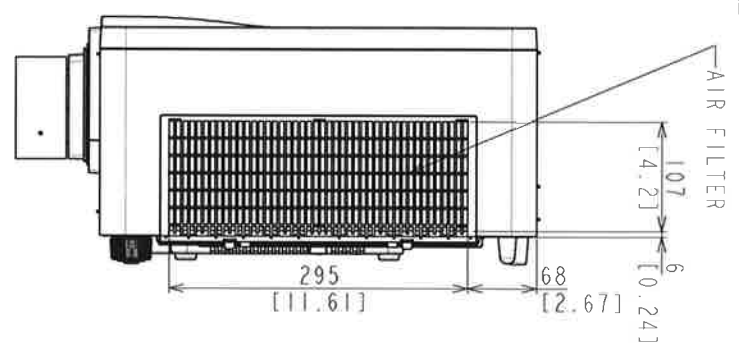
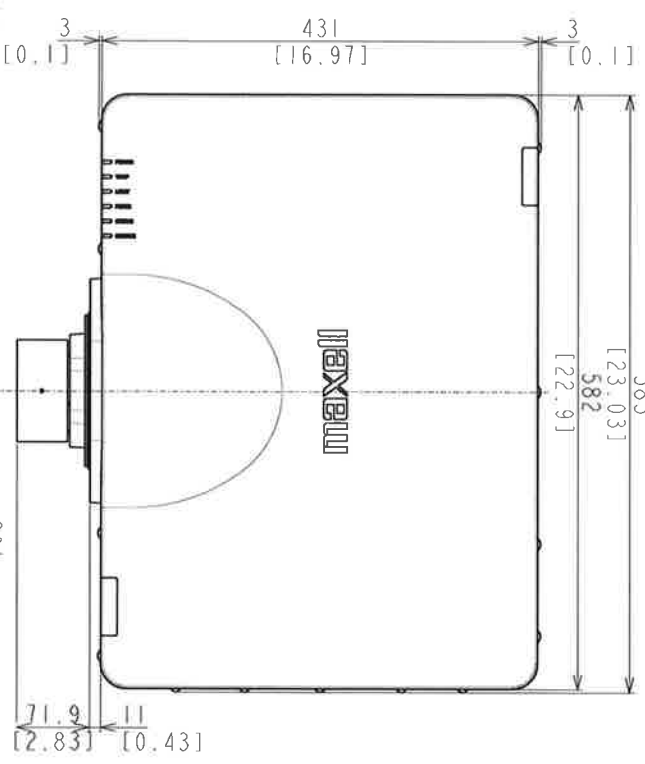
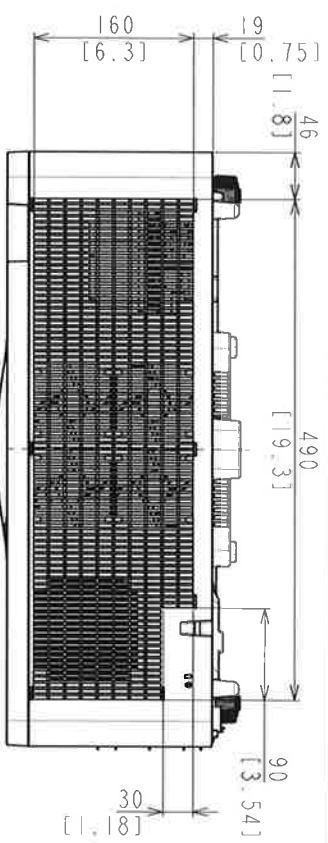
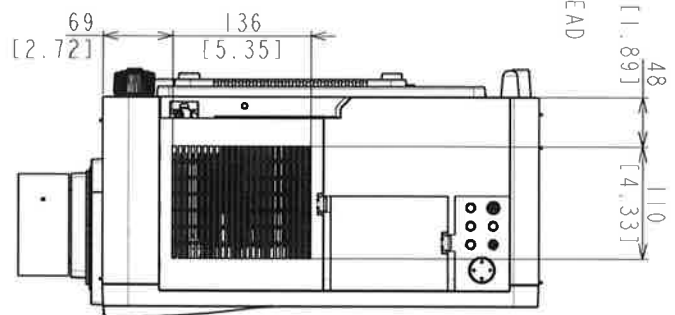
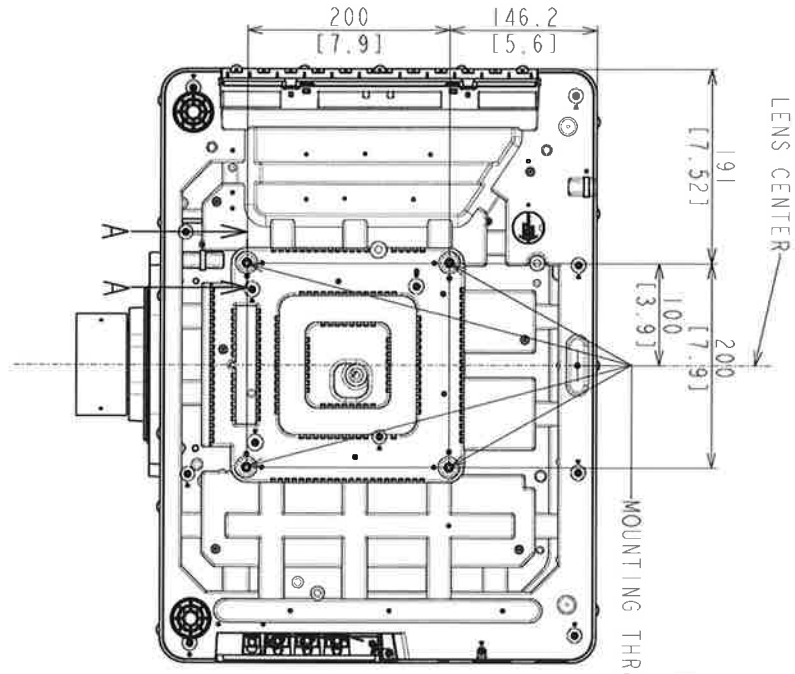
UNIT: mm[inch]



D3-APPEARANCE.DRW(ML-713)
2018/12/26
2019/02/14

Maxell MP-WU8801
MP-WU8701
UNIT: mm [inch]

SL-712

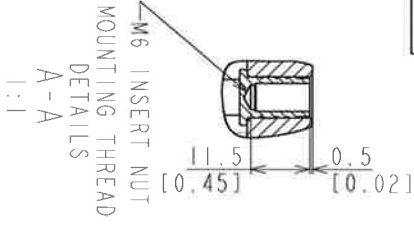
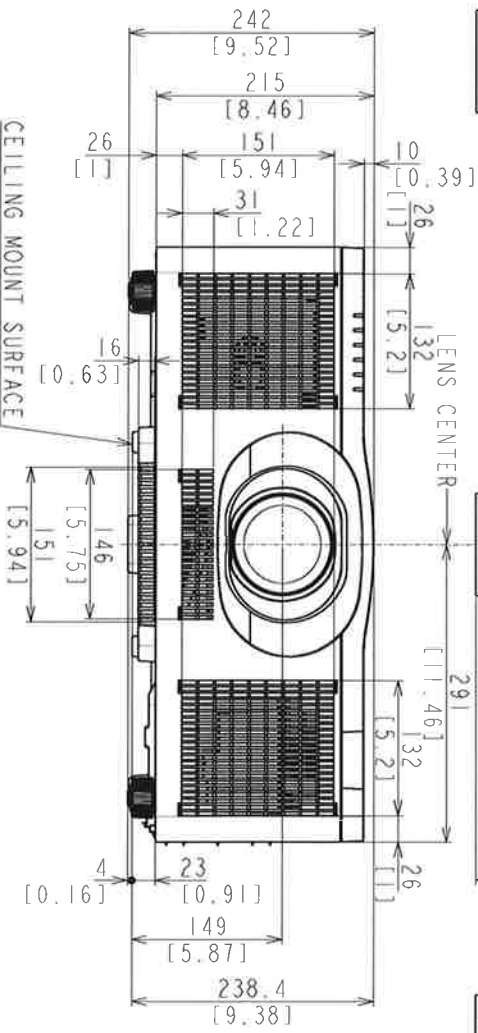
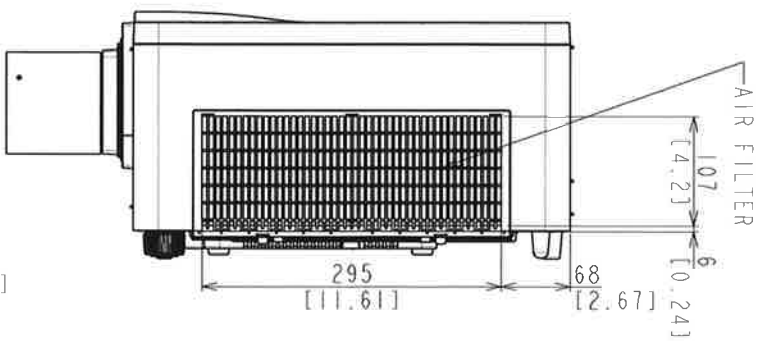
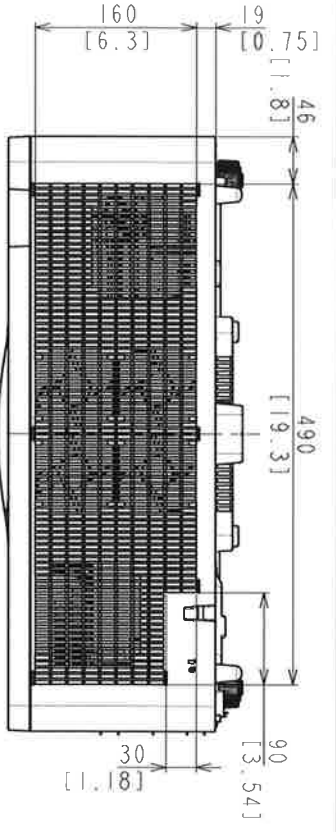
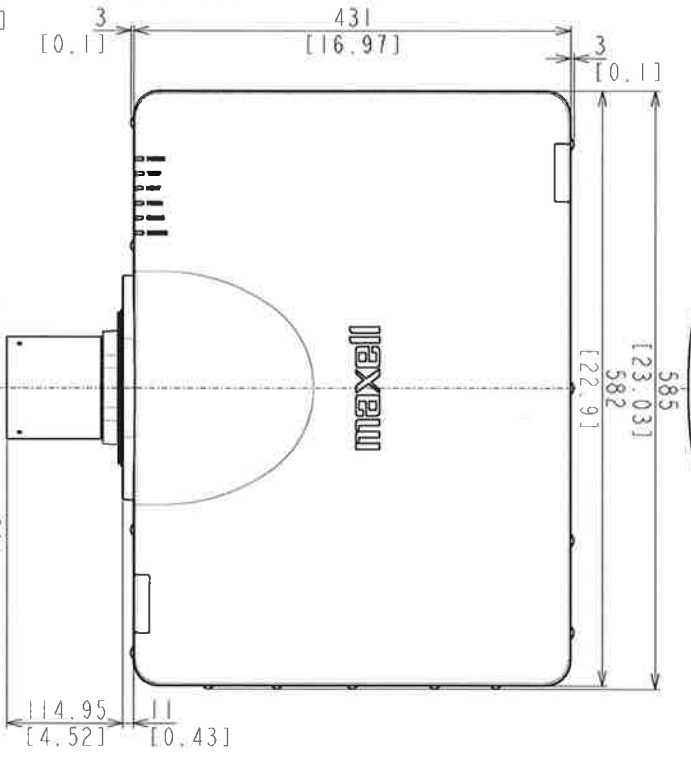
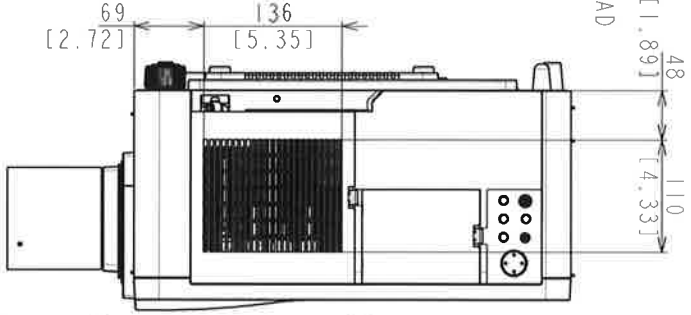
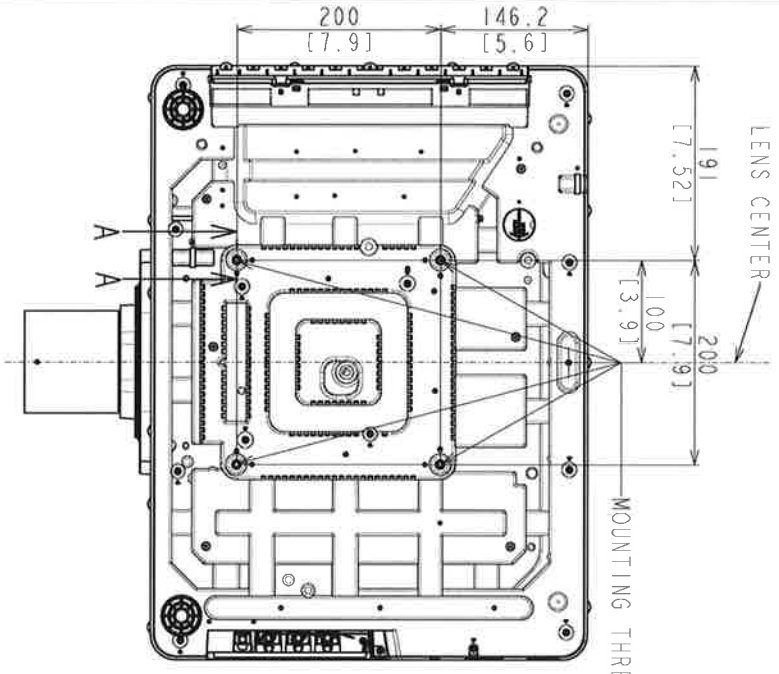


D3 APPEARANCE.DRW(SL-712)
2018/12/26
2019/02/14

Maxell | MP-WU8801
MP-WU8701

UL-705

UNIT:mm[inch]

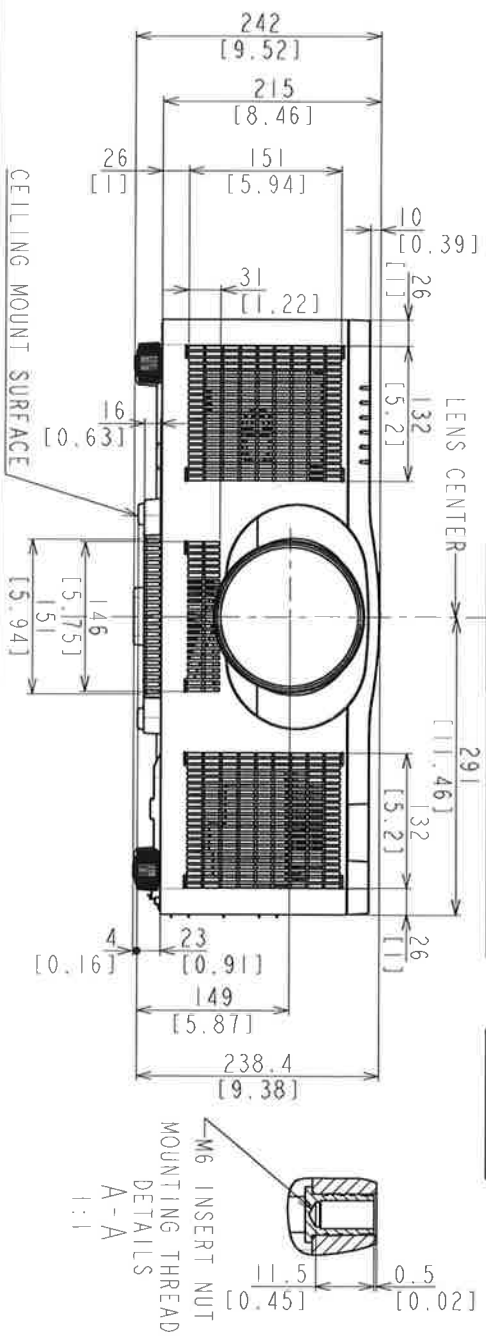
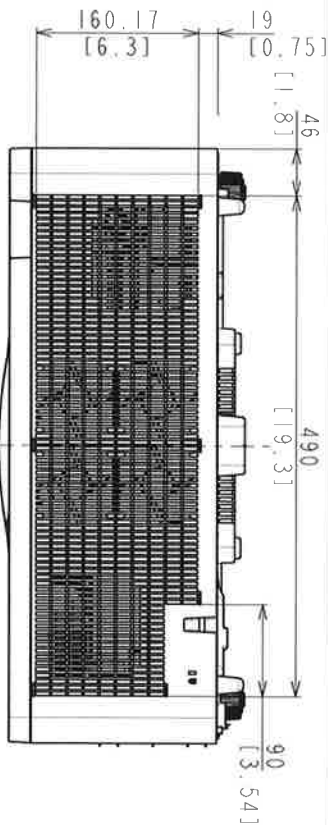
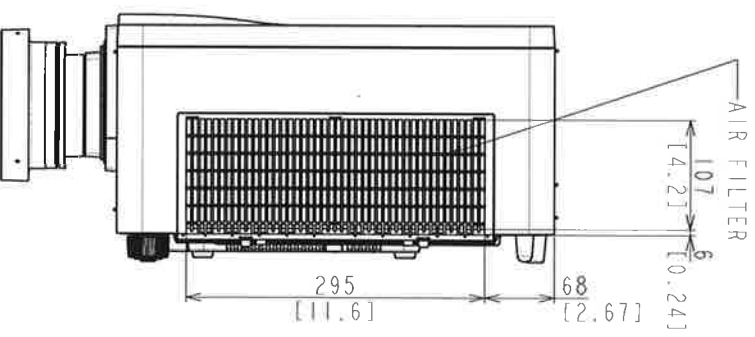
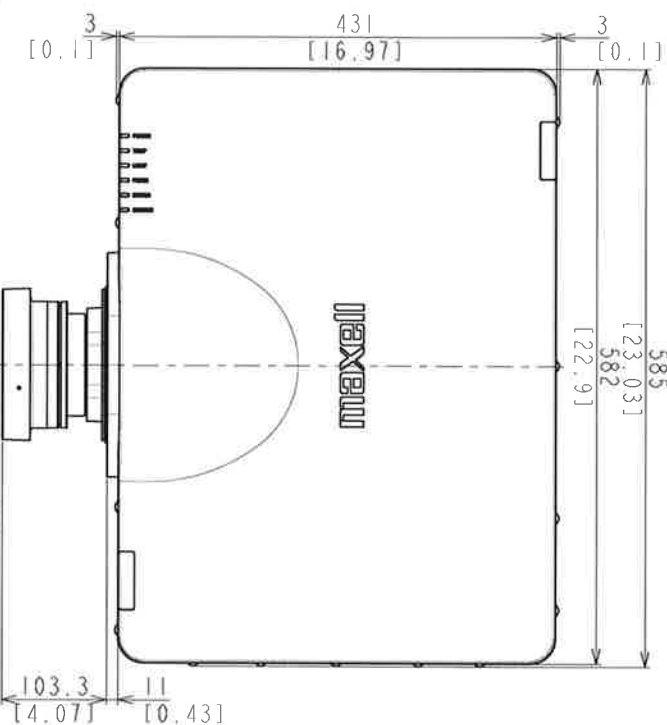
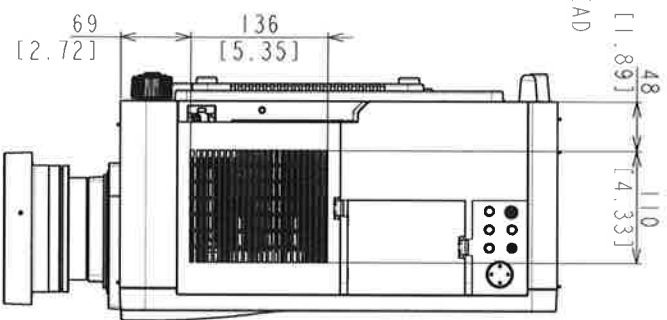
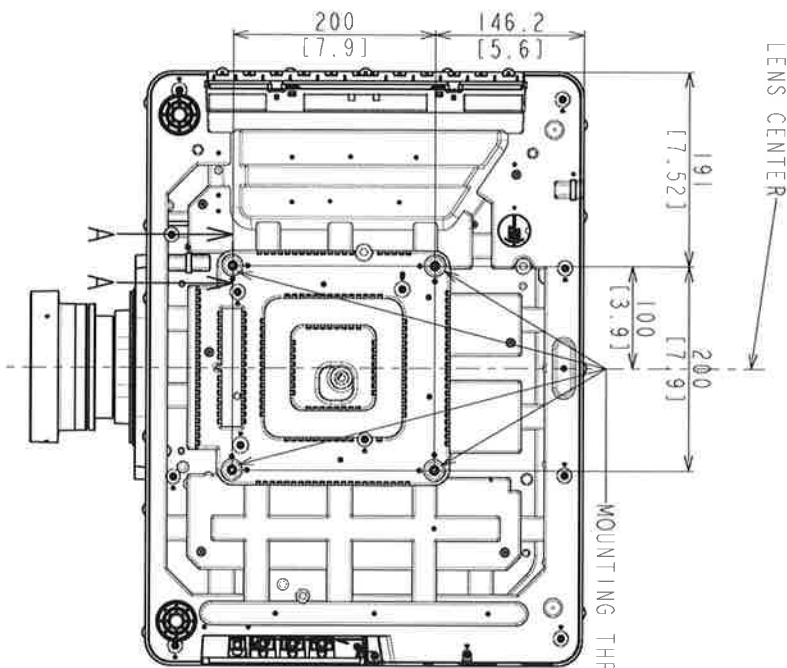


D3-APPEARANCE.DRW(UL-705)
2018/12/26
2019/02/14

Maxell MP-WU8801
MP-WU8701

USL-701

UNIT: mm[inch]



D3-APPEARANCE.DRW(USL-701)
2018/10/10
2019/01/18
2019/02/14