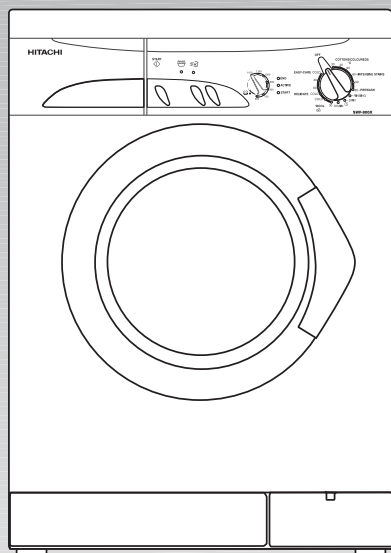


## Instruction Manual and Installation Instructions

en



**HWF-1200X**



---

# Table of Contents

---

## Operating Instructions

General .....	4
Disposal Information .....	5
Safety instructions .....	6
Environmental Protection / Conservation Issues .....	7
Your New Washing Machine .....	8
Before Using Your Washing Machine For the First Time .....	10
Preparing the laundry .....	11
Sorting the laundry .....	12
Loading the laundry .....	15
Laundry Detergents and Additives .....	16
Programmes and functions .....	18
Washing .....	22
When the Programme has Ended .....	24
Special Applications .....	25
Cleaning and Care .....	27
Troubleshooting Minor Faults .....	32
Customer service .....	35
Consumption Rates .....	36
Installation, Connection and Transport .....	37

---

## Installation Instructions

---

# General

The new washing machine which you have just purchased is a modern, high-quality domestic appliance.

Your washing appliance is distinguished by its economical consumption of power, water and detergent.

Each washing machine which leaves our factory has undergone a thorough performance test and is in fully working order. If you have any queries – especially concerning installation of the washing machine – our customer service will be happy to advise you.

Please read and observe these operating and installation instructions and all other information enclosed with the washing machine.

Keep all documentation in a safe place for subsequent use or for the next owner of the appliance.

---

# Disposal Information

---

## Disposing of the packaging

The shipping package has protected your new appliance on its way to your home. All packaging materials are environment-friendly and recyclable. Please contribute to a better environment by disposing of packaging materials in an environmentally conscious manner.

Please ask your dealer or local authority about best means of disposal.

### **⚠ Danger of suffocation!**

Keep children away from shipping carton and packaging components. Danger of suffocation from folding cartons and plastic film.

---

## Disposing of your old appliance

Old appliances are not worthless rubbish! Environment-conscious recycling can reclaim valuable raw materials.

### **⚠ Danger of fatal injury!**

On out-of service appliances, unplug mains plug. Cut off power cord and discard with mains plug.

To prevent playing children from becoming trapped and endangered, ensure that the door locking mechanism is disabled.

---

# Safety instructions

- Your washing machine is intended:
  - For domestic use only.
  - For washing machine-washable fabrics in washing lye.
  - For operation with cold drinking water and commercially available detergents and cleaning products which are suitable for use in front-loader-washing machines.
- Never leave children unattended in the proximity of the washing machine.
- The appliance is not intended for use by young children or infirm persons without supervision.
- Keep domestic pets away from the washing machine.
- Do not touch the loading door when washing at high temperatures.
- Do not insert / remove the mains plug with wet or damp hands.
- Handle the plug only when removing from the socket.
- Take care when draining hot washing solution.
- Do not climb onto the washing machine or lean against the opened loading door.

---

# Environmental Protection / Conservation Issues

Your washing machine uses water, energy and detergent efficiently, thereby protecting the environment and reducing your household costs. See Page 36 for consumption values of your appliance.

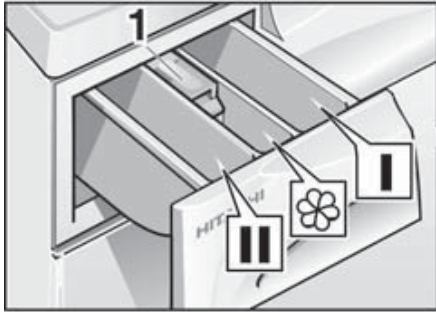
Using your washing machine in an efficient and environmentally friendly manner:

- ❑ Do not exceed recommended load.

COTTONS/COLOUREDS	6.5 kg/ 14.3 lb
EASY-CARE	3.5 kg/ 7.7 lb
DELICATE and WOOL	2.0 kg / 4.4 lb
  
- ❑ Where possible, use the **60 °C COLOUREDS INTENSIVE STAINS** programme instead of the **90 °C COTTONS** programme.

The extended washing time achieves a cleaning result comparable to that of the 90 °C programme, but uses considerably less energy.
  
- ❑ Avoid using the prewash programme when washing lightly to normally soiled laundry.
  
- ❑ Add detergent according to the degree of soiling, amount of laundry and water hardness, and observe the detergent manufacturer's instructions.

# Your New Washing Machine



## Filling laundry detergent and/or additive dispensers

Dispenser I:

Detergent for prewash or starch.

Dispenser II:

Detergent for main wash, water softener, pre-soaking agent, bleach and stain removal product.

Dispenser ☼:

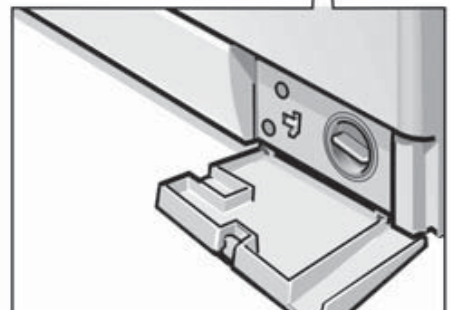
Additives, e.g. fabric softener or former (fill no higher than lower edge of insert 1).



Opening ...



and closing the door



Draining the washing solution, if required.



# Control panel

## 2. Indicator lights are on.

**END** when programme is finished.

**ACTIVE** when **START** ◊ is pressed.

**START**, if the programme is selected.

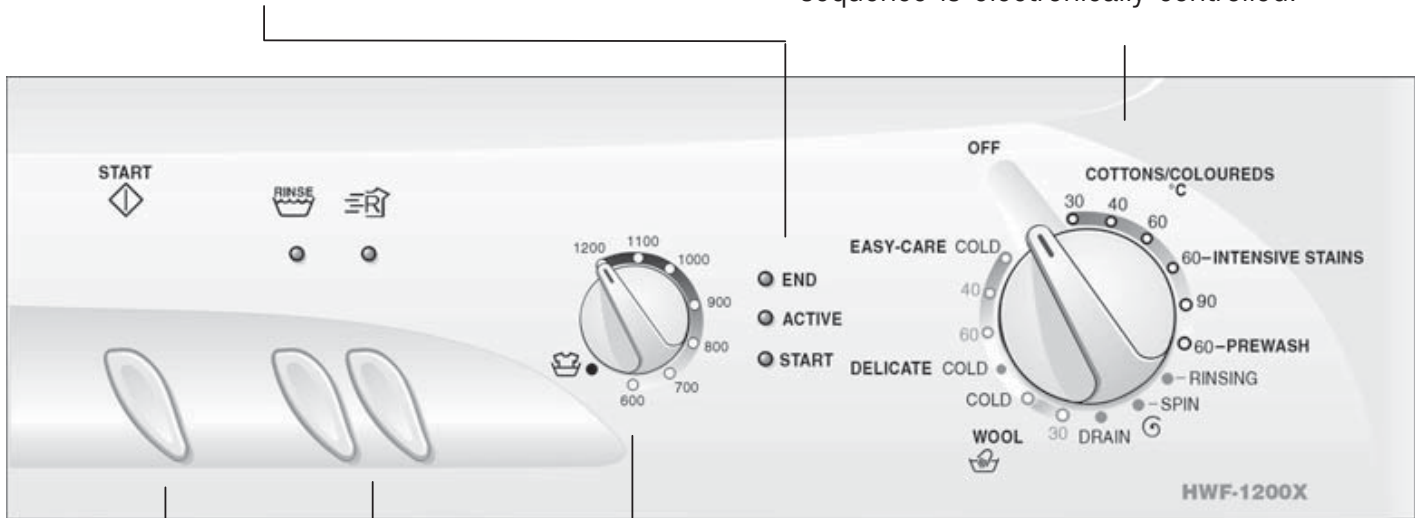
Indicator lights flash: Operation error.

## 1. Select a programme.

Switches on / off the washing machine.

Can be rotated in either direction.

The programme selector does not rotate while the programme is running the programme sequence is electronically controlled.



## 3. Set the spin speed (if required)

Variable; must click into place at .

## 4. Press buttons for additional options

(in addition to the programme if required)

: Extra rinse cycle

: Reduced programme duration.

Additional options can be combined before the programme is started.

The indicator lights of the buttons come on, if the additional options are active.

Switch off additional option: press button again.

## 5. Press the **START** ◊ button

The washing process begins (programme must have been selected).

---


# Before Using Your Washing Machine For the First Time

## Caution

The washing machine must have been installed and connected properly (refer to Page 37).

Your appliance was tested before leaving the factory. To remove any water left over from testing procedures, the first washing cycle should be carried out without laundry in the machine.

### **i** Do not load any laundry.

1. Turn on water tap.
2. Pull out the detergent dispenser up to the end stop.
3. Pour approx. 1 litre / 1  $\frac{3}{4}$  pt of water into chamber **II** of the detergent dispenser.
4. Pour  $\frac{1}{2}$  measuring beaker of detergent into dispenser **II**. Do not use any special detergents for delicates or woollens (excessive foam).
5. Close the detergent dispenser.
6. Set the programme selector to **90 °C COTTONS**. The **START** indicator light is on.
7. Press the **START**  button. The **ACTIVE** indicator light is on.

When the **END** control light comes on:

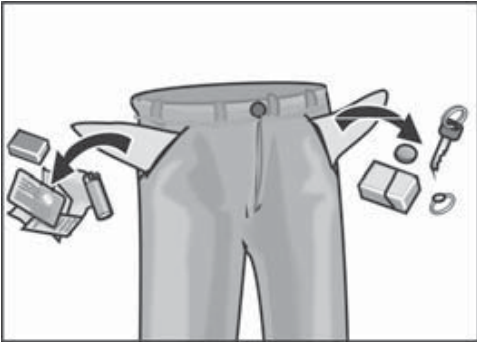
8. Turn the programme selector to **OFF**.

---

# Preparing the laundry

## Caution

Loose debris (e.g. coins, paper clips, needles, nails) can damage items of clothing as well as parts of the washing machine (e.g. drum).



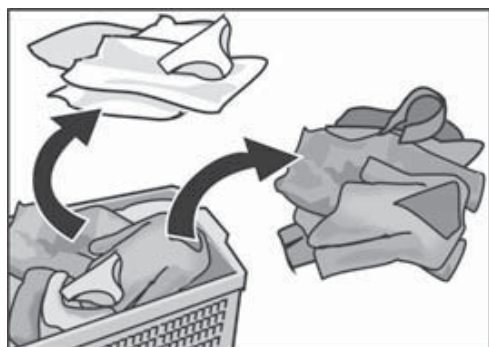
- Empty all pockets on items of clothing.
- Brush out any sand from pockets and cuffs.
- Close zip-fasteners and button up bed covers.
- Remove curtain runners or tie them up in a net / bag.
- The following items must be washed inside a net / pillow case:
  - Extremely delicate items, e.g. fine tights, net curtains.
  - Small items, e.g. small socks or handkerchiefs.
  - Underwired bras (the wire may come loose during washing and cause damage).
- When washing trousers, knitwear and woven fabrics, e.g. shirts, T-shirts or sweatshirts, always turn these items inside out.

---

# Sorting the laundry

---

## According to colour



### Caution

Items of clothing can become discoloured. Never wash new multi-coloured items together with other items.

White items may become grey. Always wash white and coloured items separately.

---

## According to degree of dirt

### Slight dirt

No recognizable dirt or staining. Laundry may have some body odour.

- Light summer clothing and sportswear that has only been worn for a few hours.
- T-shirts, shirts and blouses that have been worn for up to one day.
- Bed linen and guest towels that have been used for one day.

### Normal dirt

Visible dirt and/or some light staining recognizable.

- T-shirts, shirts and blouses that are very sweaty or have been worn several times.
- Underwear that has been worn for one day.
- Tea towels, hand towels and bed linen that have been used for up to one week.
- Net curtains (without nicotine staining) that have not been washed for up to ½ year.

## **Intensive dirt**

Dirt and/or staining recognizable.

- Kitchen hand towels that have been used for up to one week.
- Fabric napkins.
- Bibs.
- Children's outer clothing or football shirts and shorts with grass and soil stains.
- Working clothes such as overalls or baker's and butcher's coats.

## **Typical stains**

- Skin fat, cooking oils / fat, sauces, mineral oil, wax (containing fat / oil).
- Tea, coffee, red wine, fruit, vegetables (bleachable).
- Blood, egg, milk, starch (containing protein / carbohydrate).
- Soot, soil, sand (pigments), red sand on tennis clothes.

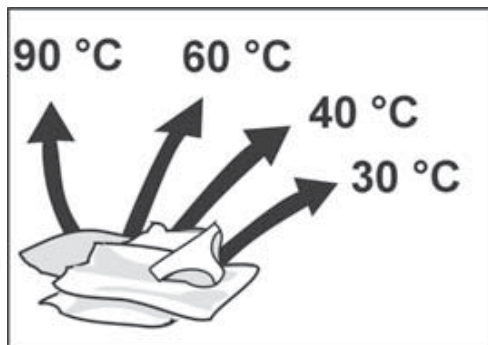
## **Removing stains**

Wherever possible, remove / pretreat stains whilst they are still fresh.

First, dab soapy water onto the stain. Do not rub. Subsequently wash the items of clothing using the appropriate programme.

Several washing cycles may sometimes be required in order to remove stubborn / dried in stains.

## according to their care label specifications



Only wash laundry that is labelled with the following care symbols:



Hard-wearing textiles, heat-resistant textiles, e.g. cotton or linen



For easy-care textiles, e.g. cotton, linen, synthetic materials or blended fabrics.



For delicate, washable textiles, e.g. silk, satin, synthetic materials or blended fabrics (e.g. curtains).



For hand and machine washable wool or wool-rich textiles, e.g. cashmere, mohair or angora.

Laundry that is labelled with the following care symbol must not be washed in the washing machine:

 = do not wash

# Loading the laundry

## **⚠ Risk of explosion!**

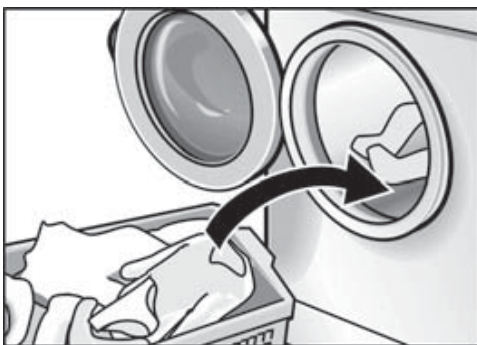
Items of clothing that have been pretreated with solvent-based cleaning agents, e.g. stain remover and dry cleaning spirit, represent an explosion hazard once loaded into the washing machine. Therefore, these items must first be rinsed thoroughly by hand.

## **Caution**

Loose debris in the washing machine drum can damage the laundry. Before loading the laundry, check that there is no debris in the drum.



1. Open the loading door.



2. Unfold the sorted items of clothing and place them loosely into the drum. Mix large and small items.

Laundry items which vary in size are more evenly distributed during the spin cycle.

- i** Do not exceed recommended load.

Overloading will cause poor wash results and encourage creasing.

3. Close the loading door.

Take care not to trap any items of clothing between the loading door and rubber seal.



---

# Laundry Detergents and Additives

---

## Dispensing the correct amount of detergent

### **⚠ Risk of poisoning!**

Keep detergents and additives out of the reach of children.

Please be informed to use only detergents which are proposed for frontloader-washing machines.

- Dispense the detergent according to:
  - the water hardness.  
This information can be obtained from your local water authority.
  - the amount of laundry.
  - the amount of soil.  
Information on soiling can be found on Page 12.
  - the specifications of the detergent manufacturer. Dispensing the correct amount of detergent relieves the strain on the environment and ensures optimum washing results.
- Pour liquid detergent into the appropriate dispensing chamber.

### **Too little detergent:**

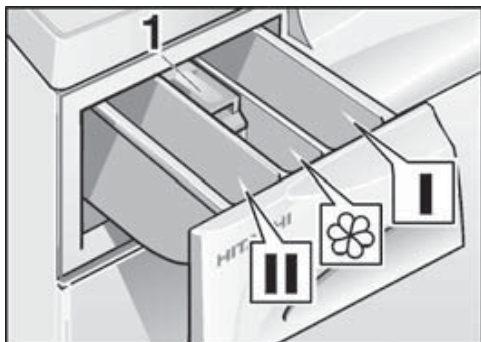
The laundry is not cleaned properly and will, after a while, become grey and stiff. Greyish brown spots (fat globules) may appear on the laundry. The heaters may calcify.

### **Too much detergent:**

Environmentally incompatible, excessive foam reduces wash agitation causing poor washing and rinsing results.



## Filling laundry detergent and/or additive dispensers



Dispenser I  
Detergent for prewash or starch.

Dispenser II  
Detergent for main wash, water softener, pre-soaking agent, bleach and stain removal product.

Dispenser ☼  
Additives, e.g. fabric softener or former.

### Laundry Detergents and Additives

- Fill at least to lower edge of insert **1**.
- If the liquid additive is thick, mix with a little water before dispensing (prevents clogging of the overflow).

- 1.** Pull out the detergent dispenser up to the end stop.
- 2.** Add the detergent and/or additive.
- 3.** Close the detergent dispenser.

---

# Programmes and functions

---

## Basic programmes

Select the desired programme - see also the separate programme overview.

### **90 °C COTTONS**

An energy-intensive programme for heat-resistant textiles, e.g. cotton or linen.

To protect the waste-water pipes, the hot water is mixed with approx. 7 litres of cold water.

### **60 °C COLOUREDS INTENSIVE STAINS**

For stained, heavily soiled textiles, e.g. cotton or linen. Energy saving programme. The extended washing time achieves a cleaning result comparable to that of the 90 °C programme, but uses considerably less energy.

### **60 °C COLOUREDS PREWASH**

For hard -wearing textiles, e.g. cotton or linen.

### **30, 40, 60 °C COLOUREDS**

For hard-wearing textiles, e.g. cotton or linen.

### **COLD, 40, 60 °C EASY-CARE**

For easy-care textiles, e.g. cotton, linen, synthetic materials or blended fabrics.


---

## Extra cycle programme selector

### **COLD DELICATE**

For delicate, washable textiles, e.g. silk, satin, synthetic materials or blended fabrics (e.g. curtains). Delicates cycle at 30 °C for hand and machine washable silk.

We do not recommend washing these textiles with other rougher textiles.

To treat very delicate silk textiles even more gently, reduce the time by pressing the  button.

No spinning between rinse cycles.

Maximum spin speed: 600 r.p.m.

### **COLD, 30 °C WOOL**

For hand and machine washable wool or wool-rich textiles, e.g. cashmere, mohair or angora.

### **RINSING**

Rinse cycle with subsequent spin cycle for rinsing hand-washed laundry or for starching.

Maximum spin speed: 800 r.p.m.


### **SPIN**

Spin cycle for spinning hand-washed laundry.

Washing solution or rinsing water is drained prior to the spin cycle.

Maximum spin speed: 800 r.p.m.

### **DRAIN**


Water is drained after a programme with the  setting for gentle treatment of delicate laundry.

## Spin speed selector



### Basic setting

The spin speed selector is pointing up.

In the **COTTONS/COLOUREDS** programme the fabrics will be spun at the maximum possible spin speed.

In the **EASY-CARE**, **DELICATE** and **WOOL**  programmes, a lower spin speed will automatically be used, regardless of the position of the spin speed selector – for the gently washing of the laundry.

### Maximum spin speeds


Revolutions per minute	Programme / Programme options
1200	<b>COTTONS/COLOUREDS</b>
800	<b>EASY-CARE</b>
600	<b>DELICATE</b>
800	<b>WOOL</b> 
800	<b>RINSING</b>
800	<b>SPIN</b> 

## Additional function on spin speed selector

### (Rinse hold)

For delicate textiles and net curtains.

All programmes can be carried out without the final spin cycle. The laundry is left in the final rinsing water.

Before the laundry can be unloaded, the **DRAIN** or **SPIN**  programme must be performed.

**i** All of the previous rinse cycles have a short intermediate spin cycle apart from the programme **DELICATE**. This improves the results of the rinse.

---

## Option buttons



An additional rinse cycle is carried out; The wash time is extended accordingly.

Recommended in areas with very soft water.



Reduced wash time – only 2 rinse cycles. Suited for slightly soiled laundry.

Recommended load: up to a maximum of 3 kg.

---

## Additional functions

### Load adjust

“Load adjust” matches the water and power consumption to each programme – according to the amount of washing and type of textiles. Water and energy consumption is therefore reduced when washing small amounts of laundry.

### Unbalanced load detection system

The automatic unbalanced load detection system spins the washing several times to ensure even distribution.

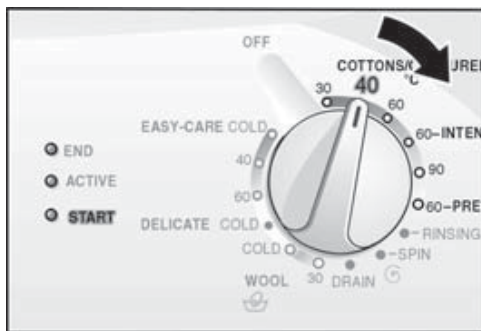
If the washing is very unevenly distributed, it is not spun for reasons of safety or the end speed is reduced.

In the woollens programme the washing is spun only twice to prevent matting.

# Washing

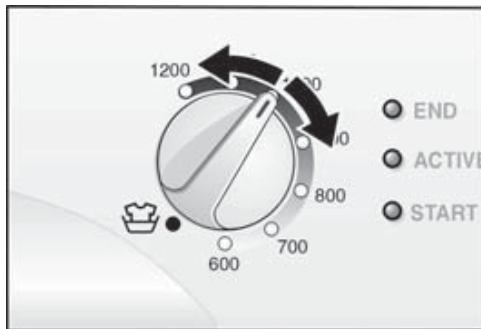


1. Turn on water tap.



2. Turn the programme selector to the desired programme – see also the separate programme overview.

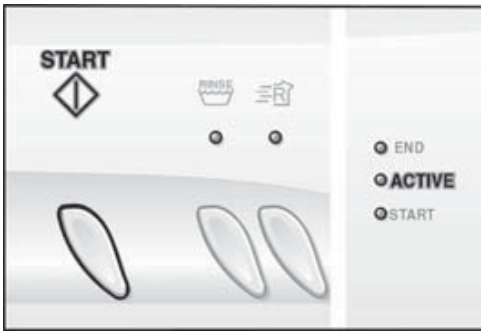
The **START** indicator light is on.



3. Select the desired spin speed or .



4. If required, press the button(s) for additional option(s).



---

## Changing a programme

5. Press the **START** ◊ button.  
The **ACTIVE** indicator light is on. The programme starts.

**i** The **ACTIVE** control light remains lit for the entire duration of the programme.

If you have accidentally selected the wrong programme:

1. Turn the programme selector to **OFF**.
2. Turn the programme selector to the desired programme.  
The **START** indicator light is on.
3. Press the **START** ◊ button.  
The **ACTIVE** control light comes on, and the new programme starts.

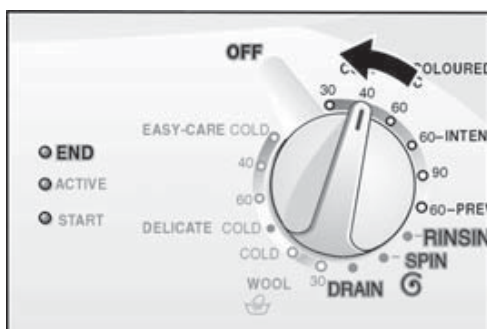
---

## Cancelling active programme

If you wish to prematurely end a programme:

1. Turn the programme selector to **OFF**.
  2. Turn the programme selector to **DRAIN** or **SPIN** Ⓢ.  
The **START** indicator light is on.
- i** For **SPIN** Ⓢ, select the desired spin speed (but not 🌀).
3. Press the **START** ◊ button.  
The **ACTIVE** indicator light is on.

# When the Programme has Ended



The **END** indicator light is on.

1. Turn the programme selector to **OFF** and if required
2. Select an additional programme (**DRAIN**, **SPIN** Ⓢ or **RINSING**).
3. Press the **START** ⬠ button.
4. At the end of the additional programme turn the programme selector to **OFF**.

## Unloading the laundry



1. Turn off the water tap.
2. Open the loading door.

If the loading door cannot be opened:

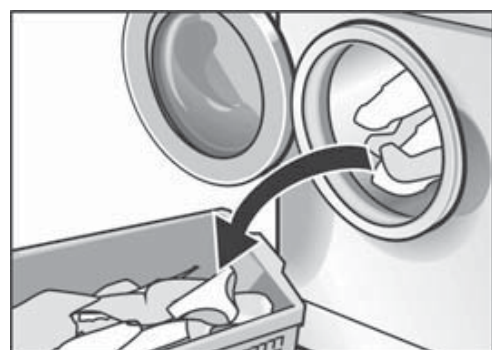
- Wait approx. for 2 minutes. (the safety function is active)
- or
- there is still water in the washing machine if the 🚰 option was selected. Select **DRAIN** or **SPIN** Ⓢ.

3. Unload the laundry.

### Caution

Remove any foreign objects (e.g. coins, paper clips) from the drum and rubber seal – **risk of rust!**

- i** Leave the loading door open to allow the inside of the washing machine to dry out.






---

# Special Applications




---

## Pre-soak

1. Load laundry of the same colour.
  2. Add the presoak agent to chamber **II** according to the manufacturer's specifications.
  3. Turn the programme selector to **30 °C COLOURED**.  
The **START** indicator light is on.
  4. Press the **START**  button.
  5. After approx. 15 minutes, turn the programme selector to **OFF**.  
The laundry is left to lie in the water.
  6. Select a programme after the desired soaking period.
- i** No additional detergent required, the soaking solution is used for washing.

---

## Starching

- i** The laundry must not be treated with fabric softener.
1. Load the laundry.
  2. Dispense the correct amount of starch for approx. 15 litres / 3.3 gal. of water. Powdered starch must first be dissolved in water according to the manufacturer's specifications.
  3. Turn the programme selector to **RINSING**.
  4. Set the spin speed ( is also possible)
  5. Press the **START**  button.
- As soon as water starts to enter the machine:
6. Pull out the detergent dispenser slightly.
  7. Add the starching solution to chamber **I**.
  8. Close the detergent dispenser.
- If the  option is preselected, the **DRAIN** programme must subsequently be selected.

---

## Dyeing

Only use dyes that are environmentally compatible and suitable for use in washing machines.

### Caution

Discoloration of the laundry in subsequent wash cycles cannot be completely ruled out.

- ❑ Always use dyes in accordance with the manufacturer's instructions.

### After dyeing:

1. Pour approx. ½ measuring beaker of detergent into dispenser II.
2. Without any laundry in the drum, allow the **90 °C COTTONS** programme to run through.
3. Wipe the seal clean.

---

## Decolorizing

### Caution

Decolorants may contain sulphur or chlorine. These substances can cause parts of the washing machine to corrode. Do not decolorize items of laundry in the washing machine.

---

# Cleaning and Care

## **⚠ Risk of electric shock!**

Always disconnect the appliance from the mains before cleaning. Never clean the washing machine with a jet of water.

## **⚠ Risk of explosion!**

Never use solvents to clean the appliance.

---

## Cleaning the appliance housing and control panel

As required:

- Use hot soapy water or a mild, non-abrasive cleaning agent. Rub dry with a soft towel.

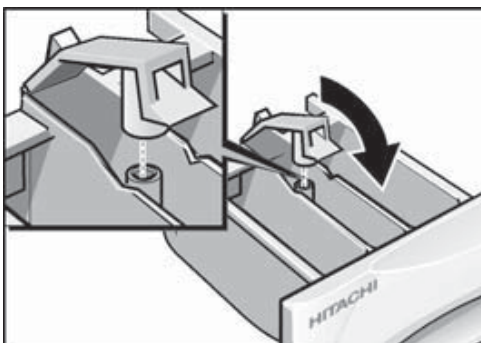
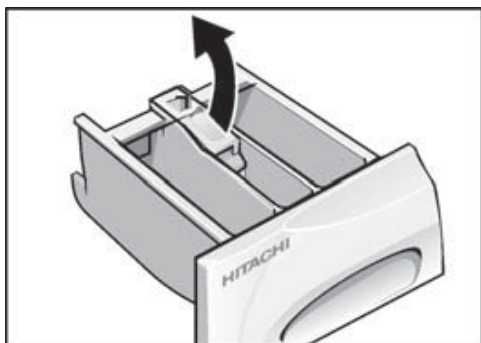
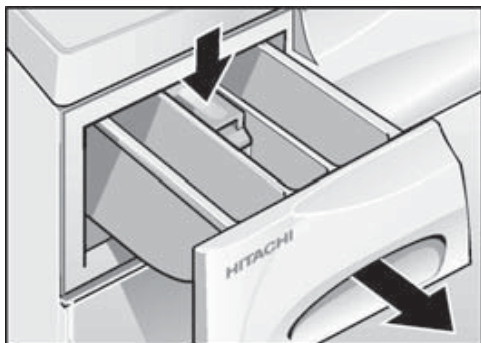
---

## Cleaning the drum

In the event that rust spots have formed due to left-over debris (e.g. coins, paper clips, needles, nails):

- Use a chlorine-free cleaning agent. Follow the manufacturer's instructions. Never use steel wool.

## Cleaning the detergent dispenser



In the event that residual detergents or additives have accumulated:

1. Pull out the detergent dispenser up to the end stop, press down the hollow on the insert and remove the detergent dispenser completely.
2. Pull out the insert.
3. Clean the detergent dispenser and insert under running water.
4. Attach the insert and lock into position.
5. Insert the detergent dispenser.

## Cleaning the drain pump

This is necessary if the washing solution has not been completely drained. The pump is blocked by either loose debris or fluff which accumulates if fluff-giving fabrics are washed.

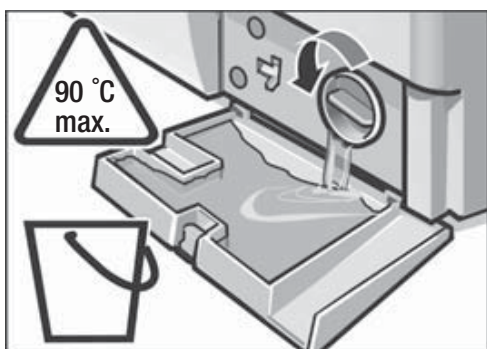
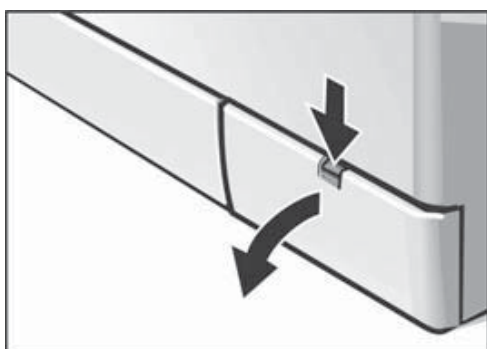
### Draining the washing solution

**i** Up to 20 litres / 4.4 gal. Have a suitable container ready.

#### **⚠ Risk of scalding!**

Allow the hot washing solution to cool.  
Keep children and pets away.

1. Turn the programme selector to **OFF**.
2. Fold down the cover panel.



3. Unscrew the pump cap **slightly** until the washing solution slowly begins to run into the cover plate cavity.
4. When the cover plate cavity is half full, tighten the pump cap and empty the cover plate cavity.

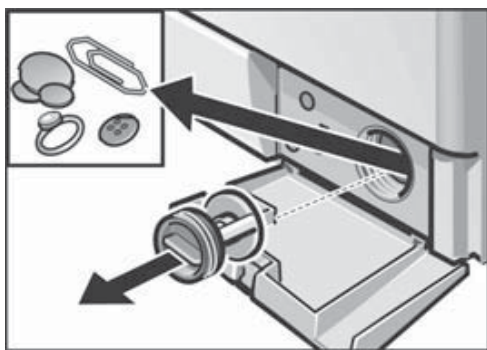
**i** Repeat the last two steps until all the washing solution has been drained.

5. Carefully remove the pump cap.

6. Remove any loose debris / fluff from inside the pump and clean the pump. The pump impeller must be able to rotate.  
Clean any residual lye or fluff from the thread of the pump cap and pump housing.

7. Attach and tighten the pump cap.

8. Attach and close the cover plate.

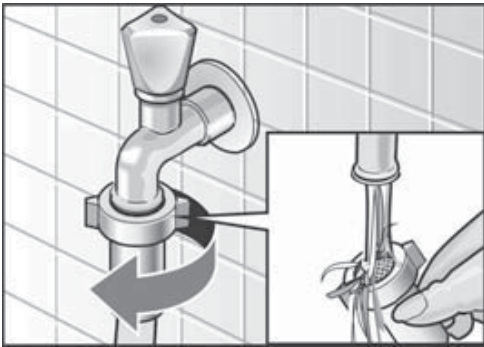


---

## Cleaning water inlet strainers

Release the water pressure in the supply hose

### Cleaning the strainer at the water tap



To avoid unused detergent from flowing into the drain during the next wash cycle:

9. Pour approx. 1 litre / 1  $\frac{3}{4}$  pt of water into chamber **II**.
10. Select the **DRAIN** programme.

This is necessary if very little or no water flows into the washing machine.

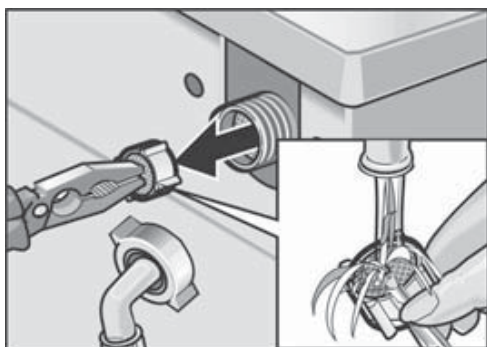
1. Turn off the water tap.
2. Turn the programme selector to any programme (except **SPIN** Ⓢ and **DRAIN**).
3. Press the **START** ⬠ button, and allow the programme to run for approx. 40 seconds.
4. Turn the programme selector to **OFF**.

1. Disconnect the hose from the water tap.
2. Rinse the strainer under flowing water.
3. Connect the hose.

## Cleaning the strainer on the washing machine



1. Disconnect the hose from the back of the washing machine.



2. Pull out the strainer and rinse under running water.
3. Insert the strainer and reconnect the hose.
4. Turn on the water tap and check whether water is still discharged. If water is still discharged, check that the strainer is attached properly.
5. Turn off the water tap.

---

## Descaling the washing machine

### Caution

Descaling agents contain acids which can attack parts of the washing machine and discolour the laundry.

Provided that you use the correct amount of detergent, it is not necessary to descale the washing machine.

If, however, descaling the appliance becomes necessary, please follow the instructions provided by the descaling agent manufacturer.



# Troubleshooting Minor Faults

## **⚠ Risk of electric shock!**

Repairs must only be carried out by our Customer Service or an authorized technician.


If repairs are needed, and assuming that you cannot eliminate the fault yourself with the aid the following table:

1. Turn the programme selector to **OFF**.
2. Disconnect the washing machine from the mains.
3. Turn off the water tap.
4. Call Customer Service (refer to Page 35).

<b>Fault</b>	<b>Cause</b>	<b>Action</b>
The loading door cannot be opened.	 selected.	Select <b>DRAIN</b> or <b>SPIN</b>  .
	Safety function is active.	Wait for 2 minutes.
Detergent residue in the detergent dispenser.	Detergent was damp or lumpy.	Clean and dry the detergent dispenser; see Page 28.
		Use the dispensing aid for liquid detergents.
Control lights do not come on.	A fuse has triggered.	Switch on / replace the fuse.
		Call Customer Service if this fault is repeated.
	Power failure.	An interrupted programme will be resumed when the power returns. If the washing is to be removed, proceed as described under "Cleaning the drain pump"; see from Page 29.
	Plug is loose or not inserted.	Insert the plug.



<b>Fault</b>	<b>Cause</b>	<b>Action</b>
Programme does not start. The <b>START</b> indicator light flashes.	Loading door not closed properly.	Check whether laundry is trapped in door. Close the loading door (a click should be heard).
Programme does not start.	<b>START</b> ◊ button not pressed.	Press the <b>START</b> ◊ button.
Water does enter the machine or detergent is not washed away. The <b>ACTIVE</b> indicator light flashes.	Water tap not turned on. Supply hose kinked or trapped. Strainers in supply hose clogged.	Turn on water tap. Eliminate the cause. Clean the strainers; see Page 30.
Detergent in chamber I is not washed away.	A programme without Prewash was selected.	Select <b>60 °C COLOURED'S PREWASH</b> .
Water cannot be seen in drum.	This is not a fault. The water lies below the visible part of the drum.	
Washing solution is not completely drained. The <b>END</b> indicator light flashes.	Loose debris is blocking the pump. Fluff-producing laundry was washed. The water drainage pipe or drain hose is blocked.	Clean the pump (refer to page 29). Clean the water drainage pipe and/or drain hose.
Water is flowing out from underneath the machine.	The thread of the supply hose is not tight. Leak in the drain hose.	Tighten the thread. Replace the drain hose.
Foam coming out of the detergent dispenser.	To much detergent.	Mix 1 tablespoon of fabric softener with ½ litre / 1 pt of water and pour into chamber II of the detergent dispenser. Reduce the amount of detergent next time.
The laundry was not spun.	Large items of clothing became entangled and could not be distributed evenly in the drum. For safety reasons, the high-speed final spin cycle was automatically cancelled.	Always load large <b>and</b> small items together into the drum (see also imbalance compensation system).

<b>Fault</b>	<b>Cause</b>	<b>Action</b>
Spin result unsatisfactory.	The <b>RINSING</b> or <b>SPIN</b>  programme selected -maximum spin speed: 800 r.p.m.	
Repeated spinning.	This is not a fault. The imbalance compensation system is attempting to balance the load through repeated spins.	
The programme takes longer than usual.	This is not a fault. The imbalance compensation system is attempting to balance the load through repeated spins.	Always load large <b>and</b> small items together into the drum.
	The foam detection feature has activated an additional rinsing cycle to reduce the amount of foam.	Add a more appropriate amount of detergent next time.
Unsatisfactory washing result.	The degree of dirt was higher than supposed.	Select suitable programme
	Not enough detergent.	Add detergent according to the manufacturer's specifications.
Detergent residue on the laundry.	Some phosphate-free detergents contain water-insoluble residues that may appear as light spots on the laundry.	Select <b>RINSING</b> immediately or brush out the washing after drying.
Grey residues on the laundry.	Dirt accumulation from ointments, fats or oils.	Add the maximum amount of detergent and select the highest permissible temperature next time.

# Customer service

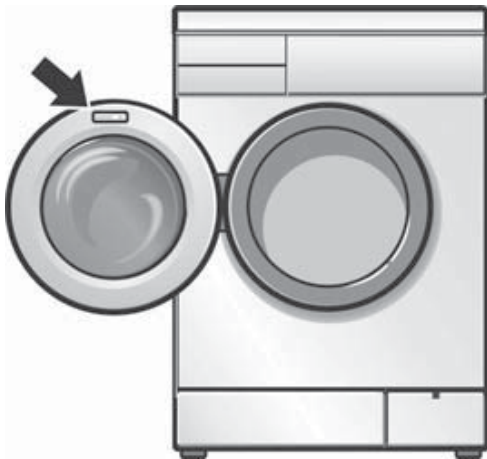
Before calling the Customer Service, please make sure that you cannot eliminate the fault yourself (refer to Page 32).

This is because consultation provided by our technicians, even within the warranty period, will lead to costs being incurred by yourself.

Your nearest Customer Service centre can be found in the index supplied. When calling the Customer Service, please specify the product number (E-Nr.) and production number (FD-Nr.) of your appliance.

These numbers are shown on the rating plate which can be found on the frame of the open door and also on the identification plate, enclosed by a thick line, on the front of the machine behind the nameplate.

Identification plate



E-Nr. _____	FD _____
-------------	----------

Product number

Production number

Please note the two numbers in the space provided above.

In specifying the product number and production number of your appliance, you help us in our attempt to prevent unnecessary travelling and the associated extra costs.

---

# Consumption Rates

Normal programme (without additional functions)	Load	Consumption rates **		
		Electricity	Water	Duration
<b>60 °C COLOUREDS</b>	5.0 kg / 11 lb	0.95 kWh	54 l	118 min.
<b>COLD DELICATE</b>	2.0 kg / 4.4 lb	0.3 kWh	50 l	50 min.

\*\* The consumption rates may deviate from the stated values depending on water pressure and hardness, room temperature, type and amount of laundry, detergents used, fluctuations in the mains voltage and selected additional functions.

---

---

# Installation, Connection and Transport

---

## Safety instructions

### **⚠ Risk of injury!**

The washing machine is very heavy. Take care when lifting it.

### **Caution**

Frozen hoses can tear / burst. Do not install the washing machine outdoors or in an area prone to frost.

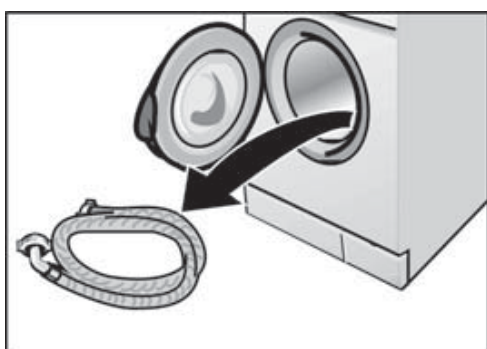
Take care not to damage the washing machine. Do not hold onto protruding parts (e.g. loading door) when lifting.

In addition to the safety information listed here, the local water and electricity supplier may have special requirements.

If in any doubt, have the water connection carried out by an authorized technician.

---

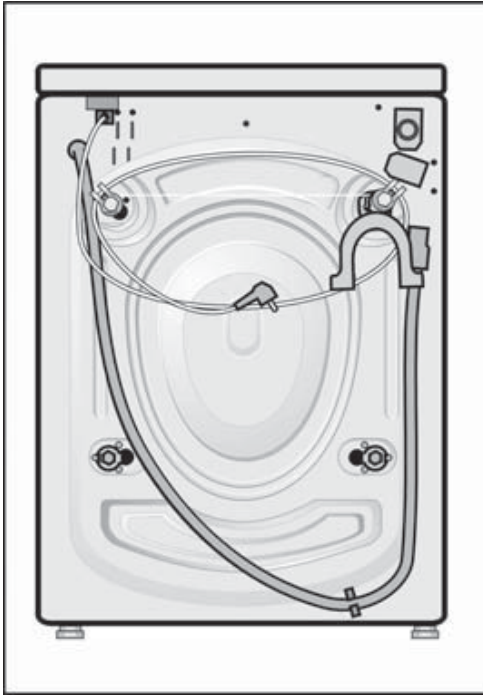
## Supplied accessories



### **Inside the drum:**

- Water supply hose.

Any dampness inside the drum is left over from final testing which every washing machine is subjected to before leaving the factory.

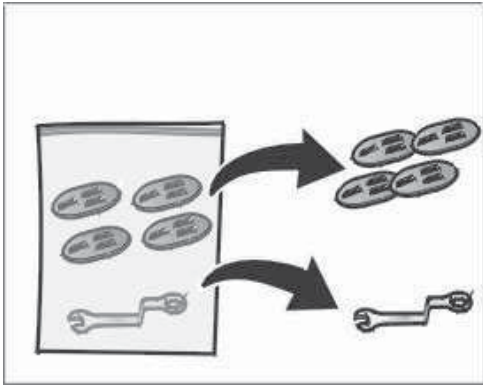


### On the rear of the appliance:

- Water drainage hose.
- Elbow for attaching the drain hose, e.g. into a wash basin.
- Power cord with mains plug.

Depending on the connection situation:

- 1 hose clip Ø 24–40 mm (DIY store) is also required for connection to a siphon.



### In the bag:

- Wrench.
- Covers for placing over the openings after the transport bolts have been removed.

### Useful tools

The following tools are helpful:

- Ring wrench (SW 13)
- Spirit level

---

## Dimensions

Width: 600 mm

Depth: 590 mm

High: 860 mm

Weight approx. 73 kg

---

## Installation area

Appliance stability is important so that the washing machine does not "wander" during the spin cycles.

The installation area must be solid and even. Soft floor surfaces, such as carpets or surfaces with foam backing, are not suitable.

If the washing machine is to be installed on a wood joist ceiling:

1. If possible, place the washing machine in a corner of the room.
2. Screw a water-resistant wooden board (at least 30 mm thick) to the floor.
3. Affix the feet of the washing machine using holding brackets\*.

If the washing machine is to be placed on a pedestal:

4. Affix the feet of the washing machine using holding brackets\*.

\* Holding brackets (set) can be obtained from a specialist store or the Customer Service.

---

## Built-under or built-in appliance installation

The appliance must be built under or built in prior to connecting the power supply.

The appliance can be built into or under a kitchen work surface. For this purpose, a recess width of 60 cm is required.

- ❑ The washing machine must only be installed under a one-piece worktop that is permanently attached to the surrounding cabinets.

### Caution

For safety reasons in built-under installation, a metal cover\* must be assembled by a specialist in place of the appliance cover plate.

- \* The metal cover (set) can be obtained from a specialist store or the Customer Service.

---

## Removing the transport bolts

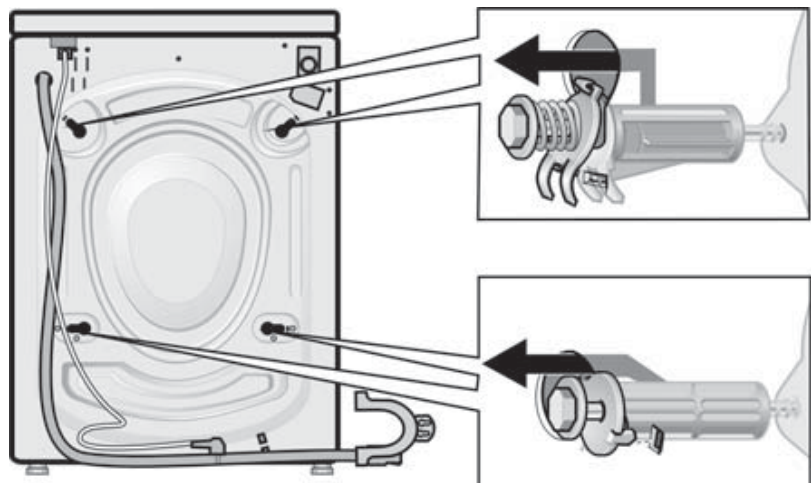
Before removing the transport bolts

Removing the transport bolts

### Caution

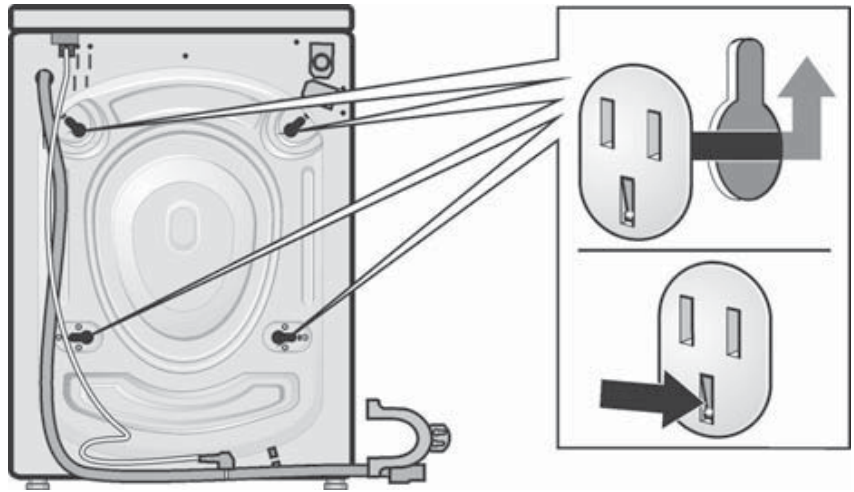
The transport bolts must always be removed before using the appliance for the first time.

1. Take the hose out of the holders.
2. Detach the elbow.
3. Release all four transport bolts using the SW 13 wrench until they can be moved freely.



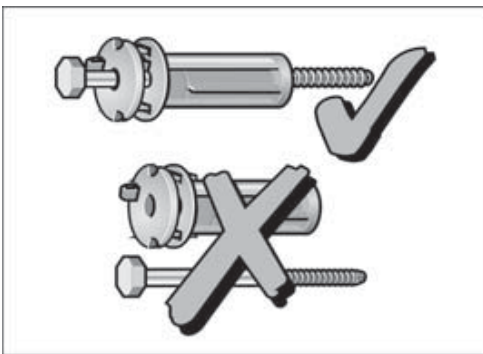
4. Completely remove transport bolts by reaching through the open washing machine door and pulling the drum forwards slightly.





5. Insert the covers.

### Storing the transport bolts

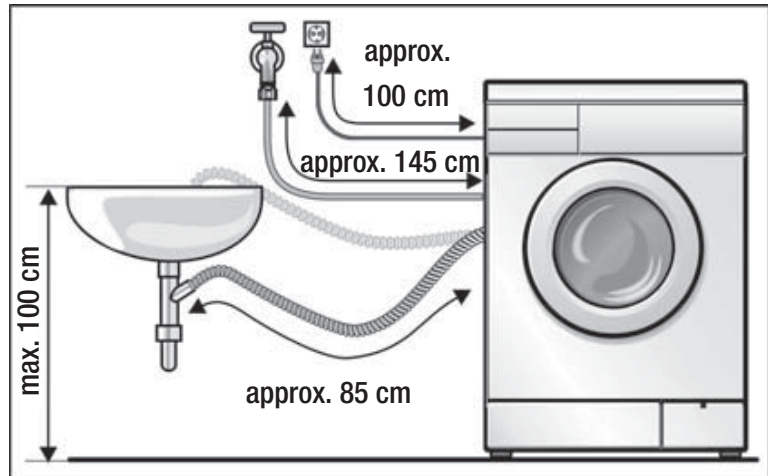


Always keep the transport bolts for subsequent transportation of the appliance (e.g. when moving house).

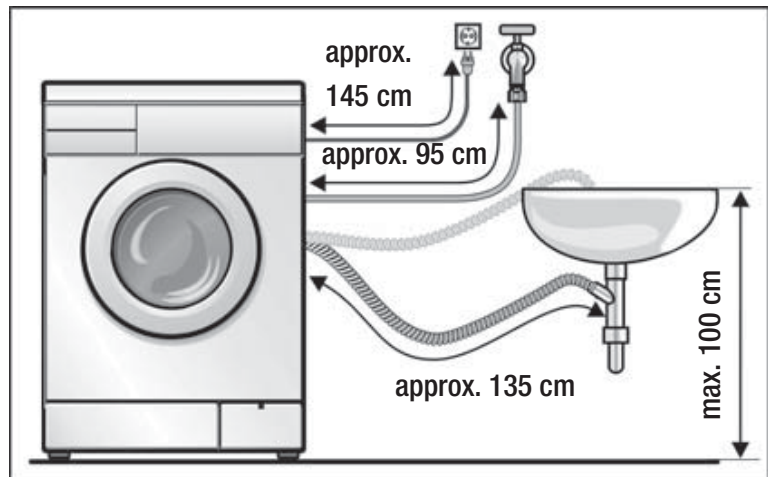
- Store the transport bolts with washer and bush (and spring) attached.

# Hose and cable lengths

## Left-hand connection



## Right-hand connection



## Other hoses

Available from specialist dealers:

- Connecting kit with plastic hose (approx. 2.50 m).
- Extended supply hose (approx. 2.20 m).

# Water connection

## Water supply

### Caution

Operate the washing machine with cold drinking water only. Do not connect the appliance to the mixer tap of an unpressurized hot-water boiler.

To prevent leaks or water damage, it is essential to follow the instructions in this chapter!

If in any doubt, have the water connection carried out by an authorized technician.

The water supply hose must not be:

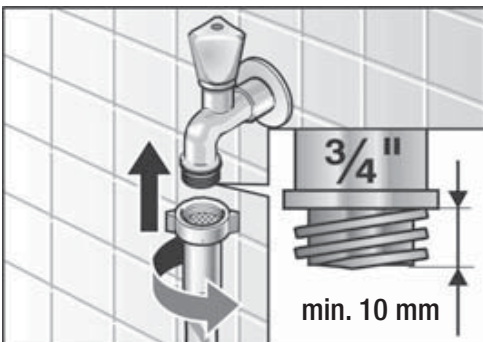
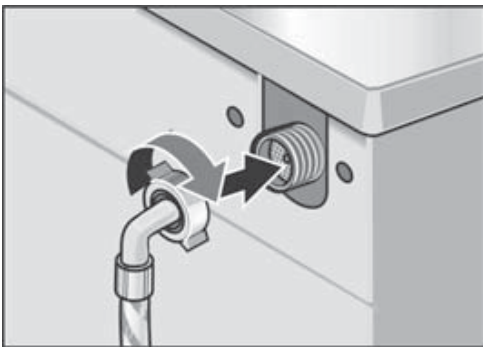
- Bent or squashed.
- Modified or cut through (stability can no longer be guaranteed).

Plastic threads must only be tightened by hand. Do not remove the strainers from the water supply hose.

Observe the water pressure in the supply network:

- The water pressure should be between 1 ... and 10 bars (when the tap is turned on, at least 8 litres of water is discharged per minute).
- A pressure reducing valve must be installed if the maximum water pressure is exceeded.

## Connect the water supply hose



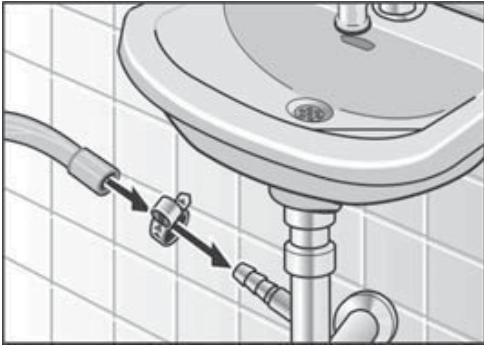
1. to the rear panel of the washing machine and ...

2. to the tap.

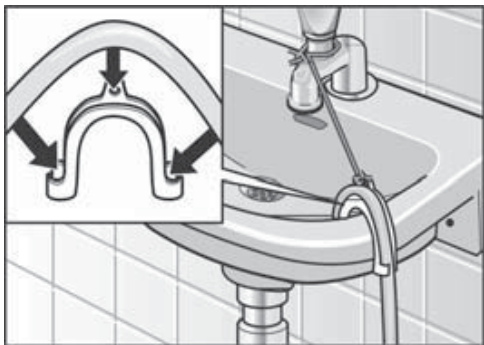
## Subsequent to connection

### Water drainage

#### Drainage into a siphon:



#### Drainage into a wash basin



3. Turn on the water tap completely, and check connection points for water-tightness.

### Caution

Do not bend or pull the water drainage hose.

Height difference between the placement area and drainage point: maximum 100 cm.

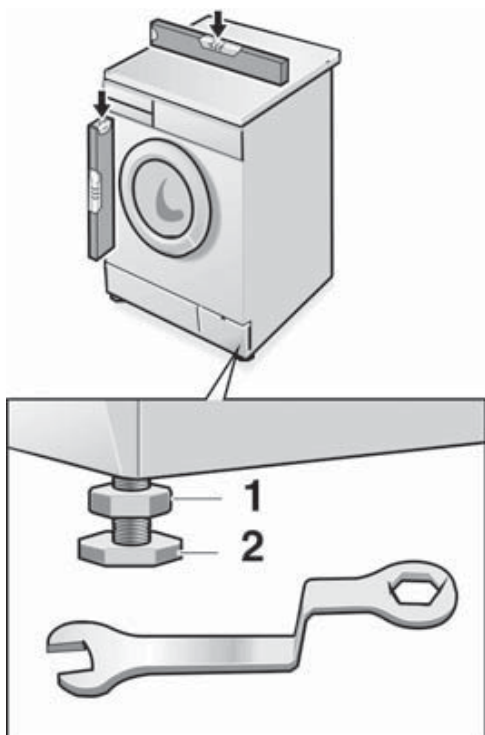
1. Secure the connection point with a hose band clip of 24–40 mm diameter (from specialist stores).

### Caution

The plug must not block the drain of the wash basin.

1. Secure the water drainage hose so that it does not slide out.
2. When water is being drained, check that the water flow is fast enough.

## Levelling procedure



All four appliance feet must be firmly on the ground. The washing machine must not wobble.

1. Loosen the lock nut **1** using the wrench.
2. Adjust the height by rotating the foot **2**.
3. Tighten the lock nut **1** against the housing. Simultaneously hold the foot in place and do not adjust the height.

All four feet must be firmly on the floor. The washing machine must not wobble.

The lock nuts of all four appliance feet must be screwed tightly against the housing!

### Attention

Loud noise generation, vibrations and "wandering" may be due to incorrect alignment!

---

## Electrical connection

### Caution

The washing machine must only be connected to alternating current and using a properly installed socket outlet with earthing contact.

The mains voltage must correspond to the voltage specification on the washing machine (nameplate).

Connection specifications as well as the required fuses are stipulated on the appliance nameplate.


Make sure that:

- the mains plug fits the socket outlet.
- the cable cross-section is permissible.
- the earthing system is properly installed.

The mains cable may be replaced by an electrician only.

Replacement mains cable available from customer service.

Do not use multiple plugs / connectors or extension cables.

In the event that an earth-leakage circuit breaker is to be used, only use types marked with the following symbol: . Only this symbol can guarantee compliance with all current regulations.

Do not insert/pull out the mains plug with wet hands.

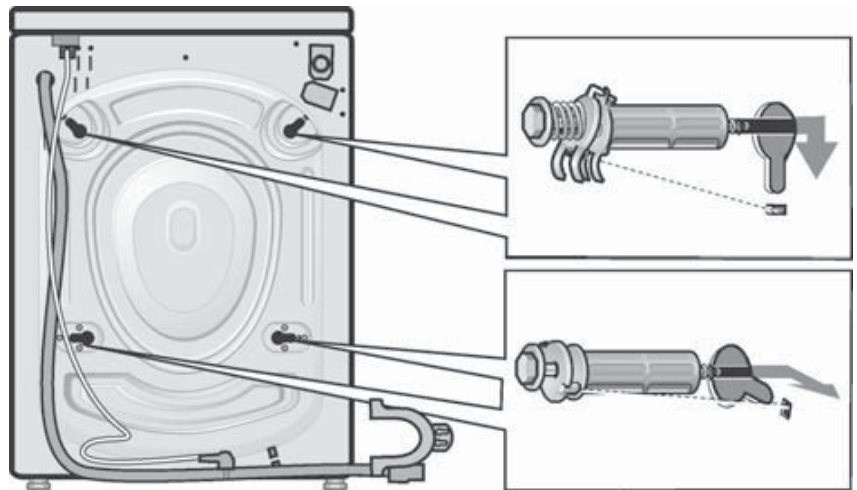
Do not pull out the mains plug by tugging the cable.

## Transport

Before transporting the washing machine (e.g. when moving house).

1. Turn off the water tap.
2. Release the water pressure in the supply hose (refer to Page 30).
3. Drain any residual washing solution (refer to Page 29).
4. Disconnect the washing machine from the mains.
5. Detach the hoses.
6. Remove the covers.
7. Pull the bolt out of the sleeve until the end of the bolt is flush with the end of the sleeve.

### Preparing and inserting the transport bolts



8. Insert and tighten transport bolts. The lugs on the washer must be located in the groove in the rear panel of the housing.

**i** Having transported the appliance and ensured proper installation, connection and having removed the transport bolts, allow the **DRAIN** programme to run through before starting the first wash programme.

# HITACHI

THE HITACHI ATAGO BLDG,  
15-12, Nishi-Shinbashi 2-Chome, Minato-ku,  
Tokyo, 105-8410 Japan  
Tel: Tokyo (03) 3502-2111

1203 en  
5500 018 690