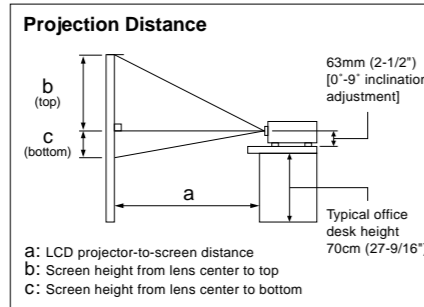
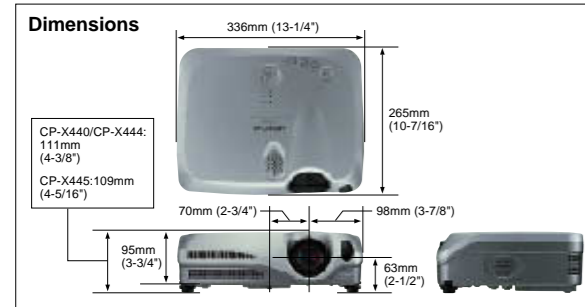


SPECIFICATIONS

Model name		CP-X440	CP-X444	CP-X445
Liquid crystal panel structure		0.7" polysilicon active-matrix TFT x 3	0.79" polysilicon active-matrix TFT x 3	0.79" polysilicon active-matrix TFT x 3
Number of pixels		786,432 pixels (V768 x H1,024)	786,432 pixels (V768 x H1,024)	786,432 pixels (V768 x H1,024)
Resolution		1,024 x 768 color pixels	1,024 x 768 color pixels	1,024 x 768 color pixels
Frequency	fH [kHz]	15-91	15-91	15-91
	fV [Hz]	50-120	50-120	50-120
Lens		Manual zoom (F=1.7-1.9) 1:1.2	Manual zoom (F=1.7-2.1) 1:1.2	Manual zoom (F=1.7-2.1) 1:1.2
Lamp		230W UHB	230W UHB	230W UHB
Brightness		2,500 ANSI Lumens	3,200 ANSI Lumens	3,200 ANSI Lumens
Contrast ratio		400:1	400:1	400:1
Speakers		1W x 1	1W x 1	3W x 4
Auto keystone correction		-	-	Vertical
Keystone correction		Vertical	Vertical	Vertical and horizontal
Power supply		AC100-120V/AC220-240V	AC100-120V/AC220-240V	AC100-120V/AC220-240V
Power consumption		370W	370W	370W
Operating temperature		5-35°C (41-95°F)	5-35°C (41-95°F)	5-35°C (41-95°F)
Input signals	RGB input	VGA, SVGA, XGA, SXGA, UXGA, MAC16*	VGA, SVGA, XGA, SXGA, UXGA, MAC16*	VGA, SVGA, XGA, SXGA, UXGA, MAC16*
	Video input	NTSC, NTSC4.43, PAL, SECAM, M-PAL, N-PAL HDTV: 750p (720p), 1125i (1080i) SDTV: 525i (480i), 525p (480p), 625i (576i)	NTSC, NTSC4.43, PAL, SECAM, M-PAL, N-PAL HDTV: 750p (720p), 1125i (1080i) SDTV: 525i (480i), 525p (480p), 625i (576i)	NTSC, NTSC4.43, PAL, SECAM, M-PAL, N-PAL HDTV: 750p (720p), 1125i (1080i) SDTV: 525i (480i), 525p (480p), 625i (576i)
Input/output terminals	Video input	S-Video: Jack terminal x 1, Composite video: RCA jack terminal x 1 Component video: RCA jack terminal x 3	S-Video: Jack terminal x 1, Composite video: RCA jack terminal x 1 Component video: RCA jack terminal x 3	S-Video: Jack terminal x 1, Composite video: RCA jack terminal x 1 Component video: RCA jack terminal x 3
	Audio input	RCA jack terminal x 1 (L/R), Stereo-mini jack terminal x 1	RCA jack terminal x 1 (L/R), Stereo-mini jack terminal x 1	RCA jack terminal x 1 (L/R), Stereo-mini jack terminal x 1
	RGB input	Analog RGB: D-sub 15-pin shrink terminal x 2	Analog RGB: D-sub 15-pin shrink terminal x 2	Analog RGB: D-sub 15-pin shrink terminal x 2, Digital RGB: DVI-D terminal (with HDCP)
	Audio output	Stereo-mini jack terminal x 1	Stereo-mini jack terminal x 1	Stereo-mini jack terminal x 1
	RGB output	Analog RGB: D-sub 15-pin shrink terminal x 1	Analog RGB: D-sub 15-pin shrink terminal x 1	Analog RGB: D-sub 15-pin shrink terminal x 1
	Control terminal	9-pin Dsub terminal x 1 for RS232C	9-pin Dsub terminal x 1 for RS232C	9-pin Dsub terminal x 1 for RS232C, USB terminal x 1, RJ45 (10BASE-T), Wired remote control (with option cable)
Agency certifications		UL/C-UL, FCC Part 15, Class B, CE	UL/C-UL, FCC Part 15, Class B, CE	UL/C-UL, FCC Part 15, Class B, CE
Dimensions (WxHxD)		336 x 95 x 265mm (12-1/4" x 3-3/4" x 10-7/16") [excl. protruding part]	336 x 95 x 265mm (12-1/4" x 3-3/4" x 10-7/16") [excl. protruding part]	336 x 95 x 265mm (12-1/4" x 3-3/4" x 10-7/16") [excl. protruding part]
Weight		3.5kg (7.7 lbs.)	3.7kg (8.1 lbs.)	3.9kg (8.5 lbs.)
Standard accessories		Remote control, Batteries, RGB cable, Safety instruction, Quick guide, Power cord, 14-language user's manual, Filter cover for bottom-up use	Remote control, Batteries, RGB cable, Safety instruction, Quick guide, Power cord, 14-language user's manual, Filter cover for bottom-up use	Remote control, Batteries, RGB cable, Safety instruction, Quick guide, Power cord, 14-language user's manual, Filter cover for bottom-up use, Soft case



CP-X440

Screen Size (inch)	a Min	a Max	b (top)	c (bottom)
30	0.9m (35")	1.1m (42")	41cm (16")	5cm (2")
40	1.2m (47")	1.4m (56")	55cm (22")	6cm (2")
50	1.5m (59")	1.8m (71")	69cm (27")	8cm (3")
60	1.8m (72")	2.2m (85")	82cm (32")	9cm (4")
70	2.1m (84")	2.5m (100")	96cm (38")	11cm (4")
80	2.4m (96")	2.9m (114")	110cm (43")	12cm (5")
90	2.7m (108")	3.3m (129")	123cm (49")	14cm (5")
100	3.1m (120")	3.6m (144")	137cm (54")	15cm (6")
120	3.7m (144")	4.4m (172")	165cm (65")	18cm (7")
150	4.6m (181")	5.5m (216")	206cm (81")	23cm (9")
200	6.1m (242")	7.3m (288")	274cm (108")	30cm (12")
250	7.6m (303")	9.2m (361")	343cm (135")	38cm (15")
300	9.2m (363")	11.0m (433")	411cm (162")	46cm (18")

CP-X444/CP-X445

Screen Size (inch)	a Min	a Max	b (top)	c (bottom)
30	0.9m (35")	1.1m (42")	41cm (16")	5cm (2")
40	1.2m (47")	1.4m (57")	55cm (22")	6cm (2")
50	1.5m (59")	1.8m (71")	69cm (27")	8cm (3")
60	1.8m (71")	2.2m (86")	82cm (32")	9cm (4")
70	2.1m (83")	2.6m (100")	96cm (38")	11cm (4")
80	2.4m (96")	2.9m (115")	110cm (43")	12cm (5")
90	2.7m (108")	3.3m (130")	123cm (49")	14cm (5")
100	3.0m (120")	3.7m (144")	137cm (54")	15cm (6")
120	3.7m (144")	4.4m (174")	165cm (65")	18cm (7")
150	4.6m (181")	5.5m (217")	206cm (81")	23cm (9")
200	6.1m (241")	7.4m (291")	274cm (108")	30cm (12")
250	7.7m (302")	9.2m (364")	343cm (135")	38cm (15")
300	9.2m (363")	11.1m (437")	411cm (162")	46cm (18")

- Design and specifications are subject to change without notice.
- The comparison photos in this catalog are simulations.
- LCD panels, polarizers and other optical components and cooling fans may need replacement after prolonged usage. For more details, please consult a Hitachi sales representative listed below.
- Do not use in places where there is a lot of water, dampness, steam, dust, soot or tobacco smoke. This may result in fire or malfunction.

HITACHI

Hitachi Europe Ltd. Whitebrook Park, Lower Cookham Road, Maidenhead, Berkshire, SL6 8YA, UK Tel: +44-1628-643000 Fax: +44-1628-643404 www.hitachidigitalmedia.com

Hitachi America, Ltd. Digital Media Division Hitachi Plaza 2000 Sierra Point Parkway, Brisbane, CA 94005-1835, U.S.A. Tel: +1-800-HITACHI Fax: +1-650-244-7776 www.hitachi.us/digitalmedia

Hitachi Canada Ltd. 2495 Meadowpine Blvd, Mississauga, Ontario L5N6C3, Canada Tel: +1-905-821-4545 Fax: +1-905-821-1011 www.hitachi.ca

Hitachi Home Electronics Asia (S) Pte. Ltd. 438A Alexandra Road #01-01/02/03, Alexandra Technopark, Singapore 119967 Tel: +65-6536-2520 Fax: +65-6536-2521 www.hitachimultimedia.com.sg

Hitachi Sales (Malaysia) Sdn. Bhd. Wisma Hitachi, No.2, Lorong 13/6A, 46200 Petaling Jaya, Selangor Darul Ehsan, Malaysia Tel: +60-3-79573455 Fax: +60-3-79556090

Hitachi Sales (Thailand) Ltd. 994, 996 Soi Thonglor, Sukhumvit 55 Road, Klongton, Klongtoey, Bangkok 10110, Thailand Tel: +66-2-381-8381 Fax: +66-2-381-9520

Hitachi (Hong Kong), Ltd. 18th Floor, Ever Gain Centre, 28 On Muk Street, Shatin, N.T., Hong Kong Tel: +852-2113-8883 Fax: +852-2780-4178 www.hitachi-hk.com.hk

Hitachi Sales Corp. of Taiwan 2nd Floor, No.65, Nanking East Road, Section 3, Taipei, Taiwan Tel: +886-2-2516-0500 Fax: +886-2-2516-1501

Hitachi Australia Ltd. Level 3, 82 Waterloo Road, North Ryde, NSW 2113, Australia Tel: +61-2-9888-4100 Fax: +61-2-9888-4188 www.hitachi.com.au



Hitachi, Ltd. Digital Media Division (Yokohama Plant) has received ISO 14001 certification.

Printed in Japan (H) NM-EXXX 0505

HITACHI LCD PROJECTORS CP-X440/CP-X444/CP-X445



HITACHI
Inspire the Next

LCD PROJECTORS



CP-X440
CP-X444
CP-X445

High-Brightness Projectors that Deliver Sharp, Beautiful Images Even in Large Spaces.

For business and educational uses, choose the outstanding brightness and performance of the CP-X445.



CP-X445 XGA

- 3,200 ANSI Lumens • Built-in LAN Control • Built-in 12W Speakers
- Auto Keystone Correction • DVI Interface • Full Connectivity
- 32dB Whisper Mode Ready • LCD Panel Technology
- My Screen Function • User Friendly Functions • Wide Angle Lens



High Brightness of 3,200 ANSI Lumens
You can use the projector even in large rooms

With a unique optical engine and 230W UHB lamp, the CP-X445 achieves outstanding brightness of 3,200 ANSI Lumens. It will project large screen images that are clear and easy to see, even in large rooms or in bright classrooms and meeting rooms.

3,200 ANSI Lumens

Built-in 12W Output Speakers
The speakers provide sufficient sound in classrooms

Four 3W speakers are built in to the projector. No matter where it is placed in the room, the big 12W total audio output provides clear sound. There is no need to connect external speakers, and even if the classroom does not have speakers, the CP-X445 delivers all the sound you want.

3Wx4

Built-in LAN Control
Makes it convenient to use several projectors

The CP-X445 is equipped with a LAN control function. This lets you use a computer to control and efficiently operate a group of projectors linked by a LAN. You can connect and disconnect power to projectors installed far from the computer and check how long their lamps have been used.



Auto Keystone Correction (Vertical)

Just push the Keystone button on the projector for automatic correction of vertical keystone distortion. This helps make troublesome screen settings easy so you can smoothly begin projection.

DVI Interface

Connection via the digital DVI terminal greatly reduces image deterioration, ensuring the highest possible picture quality with digital sources.

CP-X444 XGA

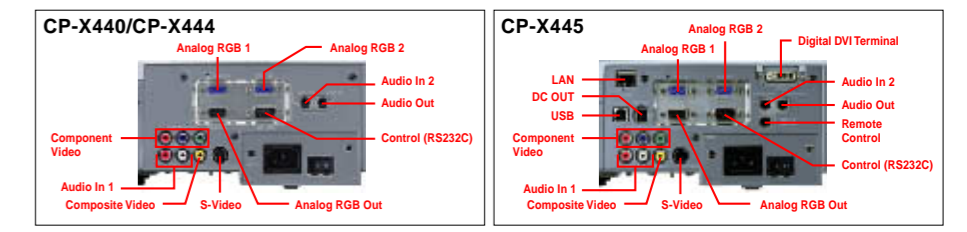
- 3,200 ANSI Lumens
- Full Connectivity
- 32dB Whisper Mode Ready
- LCD Panel Technology
- My Screen Function
- User Friendly Functions
- Wide Angle Lens

CP-X440 XGA

- 2,500 ANSI Lumens
- Full Connectivity
- 32dB Whisper Mode Ready
- LCD Panel Technology
- My Screen Function
- User Friendly Functions
- Wide Angle Lens

Full Connectivity

The projectors are compatible with the RGB Input 2 system, Video Input 3 system, and a wide variety of other input signals. They also provide RGB Output and Audio Output terminals.



32dB Whisper Mode Ready

Whisper Mode ready reduces the fan noise down to 32dB. The result is quiet performance even in small room settings such as a meeting or classroom. * Standard mode operating noise is 37dB. Brightness in Whisper mode is approximately 20% lower.



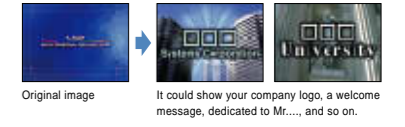
LCD Panel Technology

These Hitachi projectors use three LCD panels, which output the red, green and blue colors simultaneously. This results in smoother blacks, for extremely high quality images.



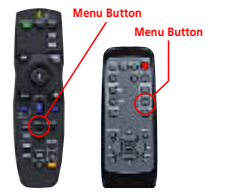
My Screen Function

When making initial settings or when the screen would be blank, you can display a company logo, school name or other still picture that has been preset in the projector. This is an effective way to focus people's attention on the screen before beginning a presentation or lesson.



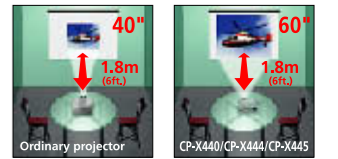
User Friendly Functions

An easy-to-understand menu lets even first-time users easily make settings with the remote control. And as a security measure, the projector will not operate until you have entered a four-digit ID from the remote control.* * When using multiple projectors with a wired remote control (CP-X445 only), you may operate the controls for only one projector at a time.



Wide Angle Lens

The short focal point lens makes it possible to display a large 60" screen at a projection distance of 1.8m. Even in conference rooms or classrooms with limited space, you can give impressive large-screen presentations.



Other Features

- Plug and Play • Freeze Function • Magnifying • Digital Gamma Correction • 3D Y/C Separation (CP-X445)
- 3:2 Pull Down • Auto Configuration (H-Phase, H-Size, Position) • PIN Lock System